



DELFOR Delivery schedule message

EDIFACT/D04A/DELFOR

Status: Final

Modified:

8/14/2015

Notes:

Edi.Help@cooperstandard.com

Table of Contents

DELFOR	Delivery schedule message	1
	Branching Diagram - 1.....	4
	Branching Diagram - 2.....	5
	Branching Diagram - 3.....	6
UNB	INTERCHANGE HEADER	7
UNH	MESSAGE HEADER	9
BGM	BEGINNING OF MESSAGE	11
DTM	DATE/TIME/PERIOD	12
Group 2	Segment Group 2	13
NAD	NAME AND ADDRESS	14
Group 6	Segment Group 6	16
GEI	PROCESSING INFORMATION	17
Group 7	Segment Group 7	18
NAD	NAME AND ADDRESS	19
Group 10	Segment Group 10	21
CTA	CONTACT INFORMATION	22
COM	COMMUNICATION CONTACT	23
Group 12	Segment Group 12	24
LIN	LINE ITEM	25
PIA	ADDITIONAL PRODUCT ID	26
IMD	ITEM DESCRIPTION	27
LOC	PLACE/LOCATION IDENTIFICATION	28
DTM	DATE/TIME/PERIOD	29
Group 13	Segment Group 13	30
RFF	REFERENCE	31
Group 16	Segment Group 16	32
QTY	QUANTITY	33
DTM	DATE/TIME/PERIOD	34
Group 17	Segment Group 17	35
RFF	REFERENCE	36
Group 18	Segment Group 18	37
SCC	SCHEDULING CONDITIONS	38
Group 19	Segment Group 19	39
QTY	QUANTITY	40
DTM	DATE/TIME/PERIOD	41
Group 20	Segment Group 20	42
RFF	REFERENCE	43
UNT	MESSAGE TRAILER	44
UNZ	INTERCHANGE TRAILER	45

DELFOR Delivery schedule message

Message Status=9

Definition: WARNING! This version of the DELFOR is not upward compatible with versions prior to D02A. DELFOR is a message which is sent from a party who is planning the use or consumption of products to a party who has to plan for the supply of the products. The message gives the requirements regarding details for short term delivery and/or medium to long scheduling for products. The scheduling can be used to authorize manufacturing and or the provision of materials. This is based on the terms and conditions defined in a purchase order or contract. The message may also be sent in response by a party which has received a DELFOR message to indicate to the party which has issued the message, the acceptance of, rejection of, or to propose amendments to the previous message.

Not Defined:

<u>Pos</u>	<u>Tag</u>	<u>Segment Name</u>	<u>Statu</u> <u>s</u>	<u>Rep</u>	<u>Notes</u>	<u>Usage</u>	<u>Page</u>
0070	UNB	INTERCHANGE HEADER	M	1		Must use	<PH7
0010	UNH	MESSAGE HEADER	M	1	N0/0010	Must use	<PH9
0020	BGM	BEGINNING OF MESSAGE	M	1	N0/0020	Must use	<PH11
0030	DTM	DATE/TIME/PERIOD	M	10	N0/0030	Must use	<PH12
0080		Segment Group 2	C	99	N0/0080	Must use	<PH13
0090	NAD	NAME AND ADDRESS	M	1	N0/0090	Must use	<PH14
0190		Segment Group 6	C	9999	N0/0190	Must use	<PH16
0200	GEI	PROCESSING INFORMATION	M	1	N0/0200	Must use	<PH17
0210		Segment Group 7	C	1	N0/0210	Must use	<PH18
0220	NAD	NAME AND ADDRESS	M	1	N0/0220	Must use	<PH19
0310		Segment Group 10	C	5	N0/0310	Used	<PH21
0320	CTA	CONTACT INFORMATION	M	1	N0/0320	Must use	<PH22
0330	COM	COMMUNICATION CONTACT	C	5	N0/0330	Must use	<PH23
0370		Segment Group 12	C	9999	N0/0370	Must use	<PH24
0380	LIN	LINE ITEM	M	1	N0/0380	Must use	<PH25
0390	PIA	ADDITIONAL PRODUCT ID	C	10	N0/0390	Used	<PH26
0400	IMD	ITEM DESCRIPTION	C	10	N0/0400	Used	<PH27
0450	LOC	PLACE/LOCATION IDENTIFICATION	C	999	N0/0450	Used	<PH28
0460	DTM	DATE/TIME/PERIOD	C	9	N0/0460	Must use	<PH29
0480		Segment Group 13	C	99	N0/0480	Must use	<PH30
0490	RFF	REFERENCE	M	1	N0/0490	Must use	<PH31
0580		Segment Group 16	C	99	N0/0580	Must use	<PH32
0590	QTY	QUANTITY	M	1	N0/0590	Must use	<PH33
0600	DTM	DATE/TIME/PERIOD	C	2	N0/0600	Used	<PH34
0610		Segment Group 17	C	99	N0/0610	Used	<PH35
0620	RFF	REFERENCE	M	1	N0/0620	Must use	<PH36
0640		Segment Group 18	C	999	N0/0640	Must use	<PH37
0650	SCC	SCHEDULING CONDITIONS	M	1	N0/0650	Must use	<PH38
0660		Segment Group 19	C	999	N0/0660	Must use	<PH39
0670	QTY	QUANTITY	M	1	N0/0670	Must use	<PH40

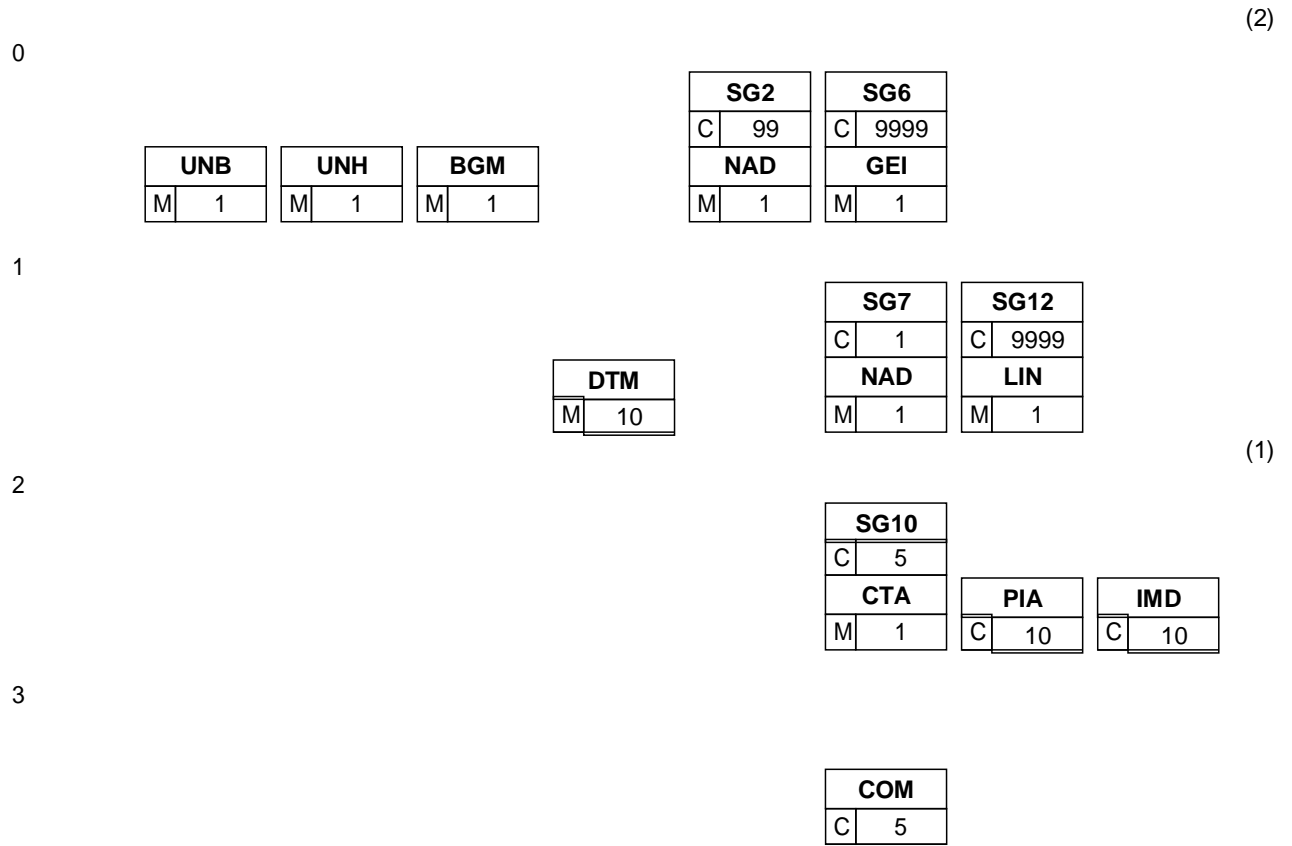
<u>Pos</u>	<u>Tag</u>	<u>Segment Name</u>	<u>Statu</u> <u>S</u>	<u>Rep</u>	<u>Notes</u>	<u>Usage</u>	<u>Page</u>
0680	DTM	DATE/TIME/PERIOD	C	9	N0/0680	Must use	41
0690		Segment Group 20	C	99	N0/0690	Used	42
0700	RFF	REFERENCE	M	1	N0/0700	Must use	43
1110	UNT	MESSAGE TRAILER	M	1	N0/1110	Must use	44
	UNZ	INTERCHANGE TRAILER	M	1		Must use	45

Clarification:

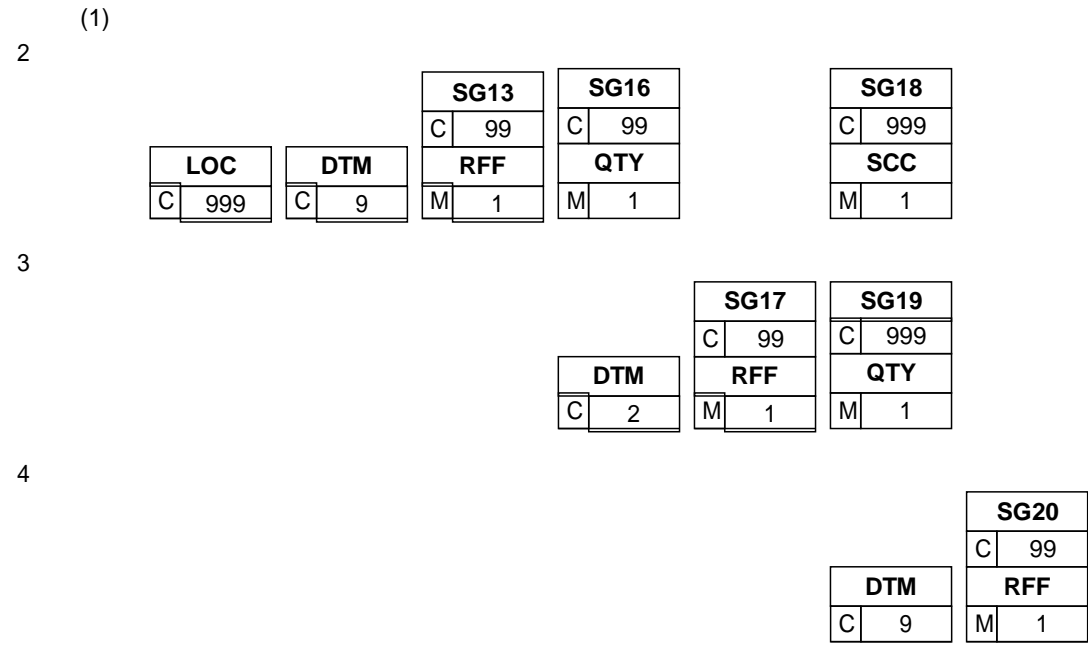
- 0/0010 A service segment starting and uniquely identifying a message. The message type code for the Delivery schedule message is DELFOR. Note: Delivery schedule messages conforming to this document must contain the following data in segment UNH, composite S009: Data element 0065 DELFOR 0052 D 0054 04A 0051 UN
- 0/0020 A segment for unique identification of the Delivery schedule message by means of its name and its number and its function (original, replacement, change).
- 0/0030 The DTM segment shall be specified at least once to identify the Delivery schedule message date. This segment can be included to indicate the beginning and the end date of the schedule.
- 0/0080 A group of segments identifying parties by their names, addresses, locations, references and contacts relevant to the whole delivery schedule.
- 0/0090 A segment for identifying names and addresses and their functions relevant for the whole Delivery schedule. The principal parties for the Delivery schedule message shall be identified. The identification of the recipient of the goods must be given in the NAD segment in the detail section. It is recommended that where possible only the coded form of the party ID should be specified.
- 0/0190 A group of segments providing details on delivery points and products and related information using one of both scheduling methods (as described in 1.3 Principles).
- 0/0200 A segment to indicate by the relevant processing indicator code which scheduling method is used.
- 0/0210 A group of segments needed to identify a delivery point and its attached information when the delivery point method is used.
- 0/0220 A segment for identifying the consignee.
- 0/0310 A group of segments to identify a person, function or department at the consignee and appropriate numbers to whom communication should be directed.
- 0/0320 A segment to identify the person, function, or department to whom communication should be directed.
- 0/0330 Communication types and numbers for the person, function, or department identified in CTA segment.
- 0/0370 A group of segments providing details of the individual line items for both methods.
- 0/0380 A segment identifying the details of the product or service to be delivered, e.g. product identification. All other segments in the detail section following the LIN segment refer to the line item.
- 0/0390 A segment providing additional product identification.
- 0/0400 A segment for describing the product or the service to be delivered. This segment should be used for products that cannot be identified by a product code or article number.
- 0/0450 A segment identifying a specific location to which products, as specified in the LIN-Segment group, should be placed after delivery. This function should only be used with the delivery point driven method.
- 0/0460 Date/time/period associated with the line item, such as the date of the engineering change.
- 0/0480 A group of segments giving references related to the line item and where necessary, their dates.
- 0/0490 A segment for identifying references to the line item, e.g. a contract and its appropriate line item, original message number, previous message number if different per line item.
- 0/0580 A group of segments specifying product quantities and associated dates not related to schedules and where relevant, references.
- 0/0590 A segment to specify pertinent quantities not related to schedule(s) e.g. cumulative quantity, last quantity considered.
- 0/0600 A segment indicating the date/time/period details relating to the quantity.
- 0/0610 A group of segments giving references related to the quantity and where necessary, their date.
- 0/0620 A segment for identifying reference to the quantity, e.g. despatch advice number.

- 0/0640 A group of segments specifying the schedule information for the product identified in the LIN segment. With the delivery point driven method this segment group provides the schedule for the identified delivery point and product. With the product driven method this segment group can be used to summarise all schedules provided with the subsequent delivery point information given in segment group NAD-LOC-FTX included in the segment group LIN-PIA-IMD.
- 0/0650 A segment specifying the status of the schedule. Optionally a delivery pattern can be established, e.g. firm or proposed delivery pattern.
- 0/0660 A group of segments specifying product quantities and associated dates.
- 0/0670 A segment to specify pertinent quantities which may relate to schedule(s) and, or pattern established in the SCC segment, e.g. delivery quantity for a specified date.
- 0/0680 A segment indicating date/time/period details relating to the given quantity.
- 0/0690 A group of segments for specifying references associated with the given schedule's quantity and date and where necessary the reference dates.
- 0/0700 A segment to provide reference for the given schedule's quantity and date.
- 0/1110 A service segment ending a message, giving the total number of segments in the message (including the UNH & UNT) and the control reference number of the message.

Branching Diagram: DELFOR(Delivery schedule message)



Branching Diagram: DELFOR(Delivery schedule message)



Branching Diagram: DELFOR(Delivery schedule message)

(2)
0

UNT		UNZ	
M	1	M	1

UNB INTERCHANGE HEADER

Pos: 0070	Max: 1
Mandatory	
Group: N/A	Elements: 5

User Option (Usage): Must use

Function: To identify an interchange. S001/0002, shall be '4' to indicate this version of the syntax.

Element Summary:

<u>Ref</u>	<u>Tag</u>	<u>Element Name</u>	<u>Status</u>	<u>Type</u>	<u>Min/Max</u>	<u>Usage</u>
UNB010	S001	SYNTAX IDENTIFIER	M	Comp		Must use
Description: Identification of the agency controlling the syntax, the syntax level and version number, and the service code directory.						
UNB010-010	0001	Syntax identifier	M	a	4/4	Must use
Description: Coded identification of the agency controlling the syntax, and of the character repertoire used in an interchange.						
CodeList Summary (Total Codes: 13, Included: 1)						
<u>Code Name</u>						
UNOA UN/ECE level A						
UNB010-020	0002	Syntax version number	M	an	1/1	Must use
Description: Version number of the syntax. Note 1: Shall be '4' to indicate this version of the syntax.						
CodeList Summary (Total Codes: 4, Included: 1)						
<u>Code Name</u>						
1 Version 1						
UNB020	S002	INTERCHANGE SENDER	M	Comp		Must use
Description: Identification of the sender of the interchange.						
UNB020-010	0004	Interchange sender identification	M	an	1/35	Must use
Description: Name or coded identification of the sender of the interchange. Note 1: Organisation code or name as agreed between interchange partners. Note 2: If coded representation is used, its source may be specified by the qualifier in data element 0007.						
UNB020-020	0007	Identification code qualifier	C	an	1/4	Used
Description: Qualifier referring to the identification code. Note 1: A qualifier code may refer to an organisation identification as in ISO 6523.						
CodeList Summary (Total Codes: 44, Included: 1)						
<u>Code Name</u>						
30 ISO 6523: Organization identification						
UNB020-030	0008	Interchange sender internal identification	C	an	1/35	Used
Description: Identification (for example, a division, branch or computer system/process) specified by the sender of interchange, to be included if agreed, by the recipient in response interchanges, to facilitate internal routing.						
UNB030	S003	INTERCHANGE RECIPIENT	M	Comp		Must use

<u>Ref</u>	<u>Tag</u>	<u>Element Name</u>	<u>Status</u>	<u>Type</u>	<u>Min/Max</u>	<u>Usage</u>
		Description: Identification of the recipient of the interchange.				
UNB030-010	0010	Interchange recipient identification	M	an	1/35	Must use
		Description: Name or coded identification of the recipient of the interchange. Note 1: Organisation code or name as agreed between interchange partners. Note 2: If coded representation is used, its source may be specified by the qualifier in data element 0007.				
UNB030-020	0007	Identification code qualifier	C	an	1/4	Used
		Description: Qualifier referring to the identification code. Note 1: A qualifier code may refer to an organisation identification as in ISO 6523.				
		CodeList Summary (Total Codes: 44, Included: 1)				
		Code Name				
		30 ISO 6523: Organization identification				
UNB030-030	0014	Interchange recipient internal identification	C	an	1/35	Used
		Description: Identification (for example, a division, branch or computer system/process) specified by the recipient of interchange, to be included if agreed, by the sender in response interchanges, to facilitate internal routing.				
UNB040	S004	DATE AND TIME OF PREPARATION	M	Comp		Must use
		Description: Date and time of preparation of the interchange.				
UNB040-010	0017	Date	M	n	6/6	Must use
		Description: Local date when an interchange or a group was prepared. Note 1: Format is CCYYMMDD.				
UNB040-020	0019	Time	M	n	4/4	Must use
		Description: Local time of day when an interchange or a group was prepared. Note 1: Format is HHMM in 24 hour clock.				
UNB050	0020	Interchange control reference	M	an	1/14	Must use
		Description: Unique reference assigned by the sender to an interchange.				

Notes:

1. S001/0002, shall be '4' to indicate this version of the syntax. The combination of the values carried in data elements S002, S003 and 0020 shall be used to identify uniquely the interchange, for the purpose of acknowledgement.

UNH MESSAGE HEADER

Pos: 0010	Max: 1
Mandatory	
Group: N/A	Elements: 2

User Option (Usage): Must use

Function: To head, identify and specify a message. Data element S009/0057 is retained for upward compatibility. The use of S016 and/or S017 is encouraged in preference.

Element Summary:

<u>Ref</u>	<u>Tag</u>	<u>Element Name</u>	<u>Status</u>	<u>Type</u>	<u>Min/Max</u>	<u>Usage</u>
UNH010	0062	Message reference number	M	an	1/14	Must use
Description: Unique message reference assigned by the sender.						
UNH020	S009	MESSAGE IDENTIFIER	M	Comp		Must use
Description: Identification of the type, version, etc. of the message being interchanged.						
UNH020-010	0065	Message type	M	an	1/6	Must use
Description: Code identifying a type of message and assigned by its controlling agency.						
CodeList Summary (Total Codes: 210, Included: 1)						
<u>Code</u> <u>Name</u>						
DELFOR Delivery schedule message						
UNH020-020	0052	Message version number	M	an	1/3	Must use
Description: Version number of a message type.						
CodeList Summary (Total Codes: 8, Included: 1)						
<u>Code</u> <u>Name</u>						
D Draft version/UN/EDIFACT Directory						
UNH020-030	0054	Message release number	M	an	1/3	Must use
Description: Release number within the current message version number.						
CodeList Summary (Total Codes: 30, Included: 1)						
<u>Code</u> <u>Name</u>						
04A Release 2004 - A						
UNH020-040	0051	Controlling agency, coded	M	an	1/3	Must use
Description: Code identifying a controlling agency.						
CodeList Summary (Total Codes: 26, Included: 1)						
<u>Code</u> <u>Name</u>						
UN UN/CEFACT						
UNH020-050	0057	Association assigned code	C	an	1/6	Must use
Description: Code, assigned by the association responsible for the design and maintenance of the message type concerned, which further identifies the message.						

Notes:

1. Data element S009/0057 is retained for upward compatibility. The use of S016 and/or S017 is encouraged in

preference. The combination of the values carried in data elements 0062 and S009 shall be used to identify uniquely the message within its group (if used) or if not used, within its interchange, for the purpose of acknowledgement.

BGM BEGINNING OF MESSAGE

Pos: 0020	Max: 1
Mandatory	
Group: N/A	Elements: 2

User Option (Usage): Must use

Function: To indicate the type and function of a message and to transmit the identifying number.

Element Summary:

<u>Ref</u>	<u>Tag</u>	<u>Element Name</u>	<u>Status</u>	<u>Type</u>	<u>Min/Max</u>	<u>Usage</u>
BGM010	C002	DOCUMENT/MESSAGE NAME	C	Comp		Must use
		Description: Identification of a type of document/message by code or name. Code preferred.				
BGM010-010	1001	Document name code	C	an	1/3	Must use
		Description: Code specifying the document name.				
		CodeList Summary (Total Codes: 603, Included: 1)				
		Code Name				
		241 Delivery schedule				
BGM020	C106	DOCUMENT/MESSAGE IDENTIFICATION	C	Comp		Must use
		Description: Identification of a document/message by its number and eventually its version or revision.				
BGM020-010	1004	Document identifier	C	an	1/35	Must use
		Description: To identify a document.				

DTM DATE/TIME/PERIOD

Pos: 0030	Max: 10
Mandatory	
Group: N/A	Elements: 1

User Option (Usage): Must use

Function: To specify date, and/or time, or period.

Element Summary:

<u>Ref</u>	<u>Tag</u>	<u>Element Name</u>	<u>Status</u>	<u>Type</u>	<u>Min/Max</u>	<u>Usage</u>
DTM010	C507	DATE/TIME/PERIOD	M	Comp		Must use

Description: Date and/or time, or period relevant to the specified date/time/period type.

DTM010-010	2005	Date or time or period function code qualifier	M	an	1/3	Must use
------------	------	------------------------------------------------	---	----	-----	----------

Description: Code qualifying the function of a date, time or period.

CodeList Summary (Total Codes: 747, Included: 3)

Code Name

- 36 Expiry date
- 137 Document/message date/time
- 157 Validity start date

DTM010-020	2380	Date or time or period text	C	an	1/35	Must use
------------	------	-----------------------------	---	----	------	----------

Description: The value of a date, a date and time, a time or of a period in a specified representation.

DTM010-030	2379	Date or time or period format code	C	an	1/3	Must use
------------	------	------------------------------------	---	----	-----	----------

Description: Code specifying the representation of a date, time or period.

CodeList Summary (Total Codes: 80, Included: 1)

Code Name

- 102 CCYYMMDD

Segment Group 2

Pos: 0080	Repeat: 99
Conditional	
Group: 2	Elements: N/A

User Option (Usage): Must use

Function:

Segment Group Summary:

<u>Pos</u>	<u>Tag</u>	<u>Segment Name</u>	<u>Status</u>	<u>Rep</u>	<u>Usage</u>
0090	NAD	NAME AND ADDRESS	M	1	Must use

NAD NAME AND ADDRESS

Pos: 0090	Max: 1
Mandatory	
Group: 2	Elements: 8

User Option (Usage): Must use

Function: To specify the name/address and their related function, either by C082 only and/or unstructured by C058 or structured by C080 thru 3207.

Element Summary:

<u>Ref</u>	<u>Tag</u>	<u>Element Name</u>	<u>Status</u>	<u>Type</u>	<u>Min/Max</u>	<u>Usage</u>
NAD010	3035	Party function code qualifier	M	an	1/3	Must use

Description: Code giving specific meaning to a party.

CodeList Summary (Total Codes: 550, Included: 3)

Code Name

BY Buyer
SE Seller
ST Ship to

NAD020	C082	PARTY IDENTIFICATION DETAILS	C	Comp		Must use
--------	------	-------------------------------------	---	------	--	----------

Description: Identification of a transaction party by code.

NAD020-010	3039	Party identifier	M	an	1/35	Must use
------------	------	-------------------------	---	----	------	----------

Description: Code specifying the identity of a party.

NAD020-020	1131	Code list identification code	C	an	1/17	Used
------------	------	--------------------------------------	---	----	------	------

Description: Code identifying a user or association maintained code list.

NAD020-030	3055	Code list responsible agency code	C	an	1/3	Used
------------	------	------------------------------------------	---	----	-----	------

Description: Code specifying the agency responsible for a code list.

CodeList Summary (Total Codes: 308, Included: 1)

Code Name

92 Assigned by buyer or buyer's agent

NAD030	C058	NAME AND ADDRESS	C	Comp		Used
--------	------	-------------------------	---	------	--	------

Description: Unstructured name and address: one to five lines.

NAD030-010	3124	Name and address description	O	an	1/35	Used
------------	------	-------------------------------------	---	----	------	------

Description: Free form description of a name and address line.

NAD040	C080	PARTY NAME	C	Comp		Used
--------	------	-------------------	---	------	--	------

Description: Identification of a transaction party by name, one to five lines. Party name may be formatted.

NAD040-010	3036	Party name	O	an	1/35	Used
------------	------	-------------------	---	----	------	------

Description: Name of a party.

NAD050	C059	STREET	C	Comp		Used
--------	------	---------------	---	------	--	------

Description: Street address and/or PO Box number in a structured address: one to four lines.

<u>Ref</u>	<u>Tag</u>	<u>Element Name</u>	<u>Status</u>	<u>Type</u>	<u>Min/Max</u>	<u>Usage</u>
NAD050-010	3042	Street and number or post office box identifier	M	an	1/35	Must use
		Description: To identify a street and number and/or Post Office box number.				
NAD060	3164	City name	C	an	1/35	Used
		Description: Name of a city.				
NAD080	3251	Postal identification code	C	an	1/17	Used
		Description: Code specifying the postal zone or address.				
NAD090	3207	Country name code	C	an	1/3	Used
		Description: Identification of the name of the country or other geographical entity as defined in ISO 3166-1.				

Segment Group 6

Pos: 0190	Repeat: 9999
Conditional	
Group: 6	Elements: N/A

User Option (Usage): Must use

Function:

Segment Group Summary:

<u>Pos</u>	<u>Tag</u>	<u>Segment Name</u>	<u>Status</u>	<u>Rep</u>	<u>Usage</u>
0200	GEI	PROCESSING INFORMATION	M	1	Must use
0210		Segment Group 7	C	1	Must use
0370		Segment Group 12	C	9999	Must use

GEI PROCESSING INFORMATION

Pos: 0200	Max: 1
Mandatory	
Group: 6	Elements: 1

User Option (Usage): Must use

Function: To identify processing information.

Element Summary:

<u>Ref</u>	<u>Tag</u>	<u>Element Name</u>	<u>Status</u>	<u>Type</u>	<u>Min/Max</u>	<u>Usage</u>
GEI010	9649	Processing information code qualifier	M	an	1/3	Must use

Description: Code qualifying the processing information.

CodeList Summary (Total Codes: 6, Included: 1)

Code Name

3 Scheduling type information

Segment Group 7

Pos: 0210	Repeat: 1
Conditional	
Group: 7	Elements: N/A

User Option (Usage): Must use

Function:

Segment Group Summary:

<u>Pos</u>	<u>Tag</u>	<u>Segment Name</u>	<u>Status</u>	<u>Rep</u>	<u>Usage</u>
0220	NAD	NAME AND ADDRESS	M	1	Must use
0310		Segment Group 10	C	5	Used

NAD NAME AND ADDRESS

Pos: 0220	Max: 1
Mandatory	
Group: 7	Elements: 8

User Option (Usage): Must use

Function: To specify the name/address and their related function, either by C082 only and/or unstructured by C058 or structured by C080 thru 3207.

Element Summary:

<u>Ref</u>	<u>Tag</u>	<u>Element Name</u>	<u>Status</u>	<u>Type</u>	<u>Min/Max</u>	<u>Usage</u>
NAD010	3035	Party function code qualifier	M	an	1/3	Must use

Description: Code giving specific meaning to a party.

CodeList Summary (Total Codes: 550, Included: 1)

Code Name

ST Ship to

NAD020	C082	PARTY IDENTIFICATION DETAILS	C	Comp		Must use
--------	------	-------------------------------------	---	------	--	----------

Description: Identification of a transaction party by code.

NAD020-010	3039	Party identifier	M	an	1/35	Must use
------------	------	-------------------------	---	----	------	----------

Description: Code specifying the identity of a party.

NAD020-020	1131	Code list identification code	C	an	1/17	Used
------------	------	--------------------------------------	---	----	------	------

Description: Code identifying a user or association maintained code list.

NAD020-030	3055	Code list responsible agency code	C	an	1/3	Used
------------	------	------------------------------------------	---	----	-----	------

Description: Code specifying the agency responsible for a code list.

CodeList Summary (Total Codes: 308, Included: 1)

Code Name

92 Assigned by buyer or buyer's agent

NAD030	C058	NAME AND ADDRESS	C	Comp		Used
--------	------	-------------------------	---	------	--	------

Description: Unstructured name and address: one to five lines.

NAD030-010	3124	Name and address description	O	an	1/35	Used
------------	------	-------------------------------------	---	----	------	------

Description: Free form description of a name and address line.

NAD040	C080	PARTY NAME	C	Comp		Used
--------	------	-------------------	---	------	--	------

Description: Identification of a transaction party by name, one to five lines. Party name may be formatted.

NAD040-010	3036	Party name	O	an	1/35	Used
------------	------	-------------------	---	----	------	------

Description: Name of a party.

NAD050	C059	STREET	C	Comp		Must use
--------	------	---------------	---	------	--	----------

Description: Street address and/or PO Box number in a structured address: one to four lines.

NAD050-010	3042	Street and number or post office box identifier	M	an	1/35	Must use
------------	------	--------------------------------------------------------	---	----	------	----------

<u>Ref</u>	<u>Tag</u>	<u>Element Name</u>	<u>Status</u>	<u>Type</u>	<u>Min/Max</u>	<u>Usage</u>
		Description: To identify a street and number and/or Post Office box number.				
NAD060	3164	City name	C	an	1/35	Must use
		Description: Name of a city.				
NAD080	3251	Postal identification code	C	an	1/17	Must use
		Description: Code specifying the postal zone or address.				
NAD090	3207	Country name code	C	an	1/3	Used
		Description: Identification of the name of the country or other geographical entity as defined in ISO 3166-1.				

Segment Group 10

Pos: 0310	Repeat: 5
Conditional	
Group: 10 Elements: N/A	

User Option (Usage): Used

Function:

Segment Group Summary:

<u>Pos</u>	<u>Tag</u>	<u>Segment Name</u>	<u>Status</u>	<u>Rep</u>	<u>Usage</u>
0320	CTA	CONTACT INFORMATION	M	1	Must use
0330	COM	COMMUNICATION CONTACT	C	5	Must use

CTA CONTACT INFORMATION

Pos: 0320	Max: 1
Mandatory	
Group: 10	Elements: 2

User Option (Usage): Must use

Function: To identify a person or a department to whom communication should be directed.

Element Summary:

<u>Ref</u>	<u>Tag</u>	<u>Element Name</u>	<u>Status</u>	<u>Type</u>	<u>Min/Max</u>	<u>Usage</u>
CTA010	3139	Contact function code	C	an	1/3	Must use
Description: Code specifying the function of a contact (e.g. department or person).						
CodeList Summary (Total Codes: 96, Included: 1)						
Code Name						
MC Material control contact						
CTA020	C056	DEPARTMENT OR EMPLOYEE DETAILS	C	Comp		Must use
Description: Code and/or name of a department or employee. Code preferred.						
CTA020-020	3412	Department or employee name	C	an	1/35	Must use
Description: Name of a department or employee.						

COM COMMUNICATION CONTACT

Pos: 0330	Max: 5
Conditional	
Group: 10	Elements: 1

User Option (Usage): Must use

Function: To identify a communication number of a department or a person to whom communication should be directed.

Element Summary:

<u>Ref</u>	<u>Tag</u>	<u>Element Name</u>	<u>Status</u>	<u>Type</u>	<u>Min/Max</u>	<u>Usage</u>
COM010	C076	COMMUNICATION CONTACT	M	Comp		Must use

Description: Communication number of a department or employee in a specified channel.

COM010-010	3148	Communication address identifier	M	an	1/512	Must use
------------	------	----------------------------------	---	----	-------	----------

Description: To identify a communication address.

COM010-020	3155	Communication address code qualifier	M	an	1/3	Must use
------------	------	--------------------------------------	---	----	-----	----------

Description: Code qualifying the communication address.

CodeList Summary (Total Codes: 40, Included: 2)

Code Name

FX Telefax
TE Telephone

Segment Group 12

Pos: 0370	Repeat: 9999
Conditional	
Group: 12 Elements: N/A	

User Option (Usage): Must use

Function:

Segment Group Summary:

<u>Pos</u>	<u>Tag</u>	<u>Segment Name</u>	<u>Status</u>	<u>Rep</u>	<u>Usage</u>
0380	LIN	LINE ITEM	M	1	Must use
0390	PIA	ADDITIONAL PRODUCT ID	C	10	Used
0400	IMD	ITEM DESCRIPTION	C	10	Used
0450	LOC	PLACE/LOCATION IDENTIFICATION	C	999	Used
0460	DTM	DATE/TIME/PERIOD	C	9	Must use
0480		Segment Group 13	C	99	Must use
0580		Segment Group 16	C	99	Must use
0640		Segment Group 18	C	999	Must use

LIN LINE ITEM

Pos: 0380	Max: 1
Mandatory	
Group: 12	Elements: 3

User Option (Usage): Must use

Function: To identify a line item and configuration.

Element Summary:

<u>Ref</u>	<u>Tag</u>	<u>Element Name</u>	<u>Status</u>	<u>Type</u>	<u>Min/Max</u>	<u>Usage</u>
LIN010	1082	Line item identifier	C	an	1/6	Used
Description: To identify a line item.						
User Note 1: <i>This will be the line number returned in the DESADV (LIN010)</i>						
LIN020	1229	Action request/notification description code	C	an	1/3	Must use
Description: Code specifying the action to be taken or already taken.						
CodeList Summary (Total Codes: 112, Included: 1)						
<u>Code Name</u>						
38 Replaced						
LIN030	C212	ITEM NUMBER IDENTIFICATION	C	Comp		Must use
Description: Goods identification for a specified source.						
LIN030-010	7140	Item identifier	C	an	1/35	Must use
Description: To identify an item.						
LIN030-020	7143	Item type identification code	C	an	1/3	Must use
Description: Coded identification of an item type.						
CodeList Summary (Total Codes: 107, Included: 1)						
<u>Code Name</u>						
IN Buyer's item number						

PIA ADDITIONAL PRODUCT ID

Pos: 0390 Max: 10
 Conditional
 Group: 12 Elements: 2

User Option (Usage): Used

Function: To specify additional or substitutional item identification codes.

Element Summary:

<u>Ref</u>	<u>Tag</u>	<u>Element Name</u>	<u>Status</u>	<u>Type</u>	<u>Min/Max</u>	<u>Usage</u>
PIA010	4347	Product identifier code qualifier	M	an	1/3	Must use
Description: Code qualifying the product identifier.						
CodeList Summary (Total Codes: 12, Included: 1)						
<u>Code Name</u>						
1 Additional identification						
PIA020	C212	ITEM NUMBER IDENTIFICATION	M	Comp		Must use
Description: Goods identification for a specified source.						
PIA020-010	7140	Item identifier	C	an	1/35	Must use
Description: To identify an item.						
PIA020-020	7143	Item type identification code	C	an	1/3	Must use
Description: Coded identification of an item type.						
CodeList Summary (Total Codes: 107, Included: 1)						
<u>Code Name</u>						
DR Drawing revision number						

IMD ITEM DESCRIPTION

Pos: 0400 Max: 10
 Conditional
 Group: 12 Elements: 2

User Option (Usage): Used

Function: To describe an item in either an industry or free format.

Element Summary:

<u>Ref</u>	<u>Tag</u>	<u>Element Name</u>	<u>Status</u>	<u>Type</u>	<u>Min/Max</u>	<u>Usage</u>
IMD010	7077	Description format code	C	an	1/3	Must use
		Description: Code specifying the format of a description.				
		CodeList Summary (Total Codes: 8, Included: 1)				
		Code Name				
		F		Free-form		
IMD030	C273	ITEM DESCRIPTION	C	Comp		Must use
		Description: Description of an item.				
IMD030-040	7008	Item description	C	an	1/256	Must use
		Description: Free form description of an item.				

LOC PLACE/LOCATION IDENTIFICATION

Pos: 0450 Max: 999
 Conditional
 Group: 12 Elements: 2

User Option (Usage): Used

Function: To identify a place or a location and/or related locations.

Element Summary:

<u>Ref</u>	<u>Tag</u>	<u>Element Name</u>	<u>Status</u>	<u>Type</u>	<u>Min/Max</u>	<u>Usage</u>
LOC010	3227	Location function code qualifier	M	an	1/3	Must use
Description: Code identifying the function of a location.						
CodeList Summary (Total Codes: 249, Included: 2)						
<u>Code Name</u>						
11 Place/port of discharge						
159 Additional internal destination						
LOC020	C517	LOCATION IDENTIFICATION	C	Comp		Must use
Description: Identification of a location by code or name.						
LOC020-010	3225	Location name code	C	an	1/35	Must use
Description: Code specifying the name of the location.						
LOC020-030	3055	Code list responsible agency code	C	an	1/3	Must use
Description: Code specifying the agency responsible for a code list.						
CodeList Summary (Total Codes: 308, Included: 1)						
<u>Code Name</u>						
92 Assigned by buyer or buyer's agent						

DTM DATE/TIME/PERIOD

Pos: 0460	Max: 9
Conditional	
Group: 12	Elements: 1

User Option (Usage): Must use

Function: To specify date, and/or time, or period.

Element Summary:

<u>Ref</u>	<u>Tag</u>	<u>Element Name</u>	<u>Status</u>	<u>Type</u>	<u>Min/Max</u>	<u>Usage</u>
DTM010	C507	DATE/TIME/PERIOD	M	Comp		Must use

Description: Date and/or time, or period relevant to the specified date/time/period type.

DTM010-010	2005	Date or time or period function code qualifier	M	an	1/3	Must use
------------	------	------------------------------------------------	---	----	-----	----------

Description: Code qualifying the function of a date, time or period.

CodeList Summary (Total Codes: 747, Included: 1)

Code Name

257 Calculation date/time/period

DTM010-020	2380	Date or time or period text	C	an	1/35	Must use
------------	------	-----------------------------	---	----	------	----------

Description: The value of a date, a date and time, a time or of a period in a specified representation.

DTM010-030	2379	Date or time or period format code	C	an	1/3	Must use
------------	------	------------------------------------	---	----	-----	----------

Description: Code specifying the representation of a date, time or period.

CodeList Summary (Total Codes: 80, Included: 1)

Code Name

102 CCYYMMDD

Segment Group 13

Pos: 0480	Repeat: 99
Conditional	
Group: 13 Elements: N/A	

User Option (Usage): Must use

Function:

Segment Group Summary:

<u>Pos</u>	<u>Tag</u>	<u>Segment Name</u>	<u>Status</u>	<u>Rep</u>	<u>Usage</u>
0490	RFF	REFERENCE	M	1	Must use

RFF REFERENCE

Pos: 0490	Max: 1
Mandatory	
Group: 13	Elements: 1

User Option (Usage): Must use

Function: To specify a reference.

Element Summary:

<u>Ref</u>	<u>Tag</u>	<u>Element Name</u>	<u>Status</u>	<u>Type</u>	<u>Min/Max</u>	<u>Usage</u>
RFF010	C506	REFERENCE	M	Comp		Must use
Description: Identification of a reference.						
RFF010-010	1153	Reference code qualifier	M	an	1/3	Must use
Description: Code qualifying a reference.						
CodeList Summary (Total Codes: 770, Included: 2)						
<u>Code Name</u>						
ON Buyers order number						
AIF Previous delivery instruction number						
RFF010-020	1154	Reference identifier	C	an	1/70	Must use
Description: Identifies a reference.						

Segment Group 16

Pos: 0580 Repeat: 99
 Conditional
 Group: 16 Elements: N/A

User Option (Usage): Must use

Function:

Segment Group Summary:

<u>Pos</u>	<u>Tag</u>	<u>Segment Name</u>	<u>Status</u>	<u>Rep</u>	<u>Usage</u>
0590	QTY	QUANTITY	M	1	Must use
0600	DTM	DATE/TIME/PERIOD	C	2	Used
0610		Segment Group 17	C	99	Used

QTY QUANTITY

Pos: 0590	Max: 1
Mandatory	
Group: 16	Elements: 1

User Option (Usage): Must use

Function: To specify a pertinent quantity.

Element Summary:

<u>Ref</u>	<u>Tag</u>	<u>Element Name</u>	<u>Status</u>	<u>Type</u>	<u>Min/Max</u>	<u>Usage</u>
QTY010	C186	QUANTITY DETAILS	M	Comp		Must use
Description: Quantity information in a transaction, qualified when relevant.						
QTY010-010	6063	Quantity type code qualifier	M	an	1/3	Must use
Description: Code qualifying the type of quantity.						
CodeList Summary (Total Codes: 462, Included: 6)						
<u>Code Name</u>						
12 Despatch quantity						
48 Received quantity						
70 Cumulative quantity received						
83 Backorder quantity						
84 Urgent delivery quantity						
113 Quantity to be delivered						
QTY010-020	6060	Quantity	M	an	1/35	Must use
Description: Alphanumeric representation of a quantity.						
QTY010-030	6411	Measurement unit code	C	an	1/8	Must use
Description: Code specifying the unit of measurement.						

DTM DATE/TIME/PERIOD

Pos: 0600	Max: 2
Conditional	
Group: 16	Elements: 1

User Option (Usage): Used

Function: To specify date, and/or time, or period.

Element Summary:

<u>Ref</u>	<u>Tag</u>	<u>Element Name</u>	<u>Status</u>	<u>Type</u>	<u>Min/Max</u>	<u>Usage</u>
DTM010	C507	DATE/TIME/PERIOD	M	Comp		Must use

Description: Date and/or time, or period relevant to the specified date/time/period type.

DTM010-010	2005	Date or time or period function code qualifier	M	an	1/3	Must use
------------	------	------------------------------------------------	---	----	-----	----------

Description: Code qualifying the function of a date, time or period.

CodeList Summary (Total Codes: 747, Included: 2)

Code Name

- 11 Despatch date and or time
- 51 Cumulative quantity start date

DTM010-020	2380	Date or time or period text	C	an	1/35	Must use
------------	------	-----------------------------	---	----	------	----------

Description: The value of a date, a date and time, a time or of a period in a specified representation.

DTM010-030	2379	Date or time or period format code	C	an	1/3	Must use
------------	------	------------------------------------	---	----	-----	----------

Description: Code specifying the representation of a date, time or period.

CodeList Summary (Total Codes: 80, Included: 1)

Code Name

- 102 CCYYMMDD

Segment Group 17

Pos: 0610	Repeat: 99
Conditional	
Group: 17 Elements: N/A	

User Option (Usage): Used

Function:

Segment Group Summary:

<u>Pos</u>	<u>Tag</u>	<u>Segment Name</u>	<u>Status</u>	<u>Rep</u>	<u>Usage</u>
0620	RFF	REFERENCE	M	1	Must use

RFF REFERENCE

Pos: 0620	Max: 1
Mandatory	
Group: 17	Elements: 1

User Option (Usage): Must use

Function: To specify a reference.

Element Summary:

<u>Ref</u>	<u>Tag</u>	<u>Element Name</u>	<u>Status</u>	<u>Type</u>	<u>Min/Max</u>	<u>Usage</u>
RFF010	C506	REFERENCE	M	Comp		Must use
Description: Identification of a reference.						
RFF010-010	1153	Reference code qualifier	M	an	1/3	Must use
Description: Code qualifying a reference.						
CodeList Summary (Total Codes: 770, Included: 1)						
<u>Code Name</u>						
AAK Despatch advice number						
RFF010-020	1154	Reference identifier	C	an	1/70	Must use
Description: Identifies a reference.						

Segment Group 18

Pos: 0640	Repeat: 999
Conditional	
Group: 18 Elements: N/A	

User Option (Usage): Must use

Function:

Segment Group Summary:

<u>Pos</u>	<u>Tag</u>	<u>Segment Name</u>	<u>Status</u>	<u>Rep</u>	<u>Usage</u>
0650	SCC	SCHEDULING CONDITIONS	M	1	Must use
0660		Segment Group 19	C	999	Must use

SCC SCHEDULING CONDITIONS

Pos: 0650	Max: 1
Mandatory	
Group: 18	Elements: 1

User Option (Usage): Must use

Function: To specify scheduling conditions.

Element Summary:

<u>Ref</u>	<u>Tag</u>	<u>Element Name</u>	<u>Status</u>	<u>Type</u>	<u>Min/Max</u>	<u>Usage</u>
SCC010	4017	Delivery plan commitment level code	M	an	1/3	Must use

Description: Code specifying the level of commitment to a delivery plan.

CodeList Summary (Total Codes: 23, Included: 4)

Code Name

- 1 Firm
- 2 Commitment for manufacturing and material
- 3 Commitment for material
- 4 Planning/forecast

Segment Group 19

Pos: 0660 Repeat: 999
 Conditional
Group: 19 Elements: N/A

User Option (Usage): Must use

Function:

Segment Group Summary:

<u>Pos</u>	<u>Tag</u>	<u>Segment Name</u>	<u>Status</u>	<u>Rep</u>	<u>Usage</u>
0670	QTY	QUANTITY	M	1	Must use
0680	DTM	DATE/TIME/PERIOD	C	9	Must use
0690		Segment Group 20	C	99	Used

QTY QUANTITY

Pos: 0670	Max: 1
Mandatory	
Group: 19	Elements: 1

User Option (Usage): Must use

Function: To specify a pertinent quantity.

Element Summary:

<u>Ref</u>	<u>Tag</u>	<u>Element Name</u>	<u>Status</u>	<u>Type</u>	<u>Min/Max</u>	<u>Usage</u>
QTY010	C186	QUANTITY DETAILS	M	Comp		Must use
Description: Quantity information in a transaction, qualified when relevant.						
QTY010-010	6063	Quantity type code qualifier	M	an	1/3	Must use
Description: Code qualifying the type of quantity.						
CodeList Summary (Total Codes: 462, Included: 2)						
<u>Code Name</u>						
1 Discrete quantity						
113 Quantity to be delivered						
QTY010-020	6060	Quantity	M	an	1/35	Must use
Description: Alphanumeric representation of a quantity.						
QTY010-030	6411	Measurement unit code	C	an	1/8	Used
Description: Code specifying the unit of measurement.						

DTM DATE/TIME/PERIOD

Pos: 0680	Max: 9
Conditional	
Group: 19	Elements: 1

User Option (Usage): Must use

Function: To specify date, and/or time, or period.

Element Summary:

<u>Ref</u>	<u>Tag</u>	<u>Element Name</u>	<u>Status</u>	<u>Type</u>	<u>Min/Max</u>	<u>Usage</u>
DTM010	C507	DATE/TIME/PERIOD	M	Comp		Must use

Description: Date and/or time, or period relevant to the specified date/time/period type.

DTM010-010	2005	Date or time or period function code qualifier	M	an	1/3	Must use
------------	------	------------------------------------------------	---	----	-----	----------

Description: Code qualifying the function of a date, time or period.

CodeList Summary (Total Codes: 747, Included: 5)

Code Name

- 10 Shipment date/time, requested
- 63 Delivery date/time, latest
- 64 Delivery date/time, earliest
- 194 Start date/time
- 206 End date/time

DTM010-020	2380	Date or time or period text	C	an	1/35	Must use
------------	------	-----------------------------	---	----	------	----------

Description: The value of a date, a date and time, a time or of a period in a specified representation.

DTM010-030	2379	Date or time or period format code	C	an	1/3	Must use
------------	------	------------------------------------	---	----	-----	----------

Description: Code specifying the representation of a date, time or period.

CodeList Summary (Total Codes: 80, Included: 1)

Code Name

- 102 CCYYMMDD

Segment Group 20

Pos: 0690	Repeat: 99
Conditional	
Group: 20 Elements: N/A	

User Option (Usage): Used

Function:

Segment Group Summary:

<u>Pos</u>	<u>Tag</u>	<u>Segment Name</u>	<u>Status</u>	<u>Rep</u>	<u>Usage</u>
0700	RFF	REFERENCE	M	1	Must use

RFF REFERENCE

Pos: 0700	Max: 1
Mandatory	
Group: 20	Elements: 1

User Option (Usage): Must use

Function: To specify a reference.

Element Summary:

<u>Ref</u>	<u>Tag</u>	<u>Element Name</u>	<u>Status</u>	<u>Type</u>	<u>Min/Max</u>	<u>Usage</u>
RFF010	C506	REFERENCE	M	Comp		Must use
Description: Identification of a reference.						
RFF010-010	1153	Reference code qualifier	M	an	1/3	Must use
Description: Code qualifying a reference.						
CodeList Summary (Total Codes: 770, Included: 1)						
<u>Code Name</u>						
AAP Part consignment number						
RFF010-020	1154	Reference identifier	C	an	1/70	Must use
Description: Identifies a reference.						

UNT MESSAGE TRAILER

Pos: 1110	Max: 1
Mandatory	
Group: N/A	Elements: 2

User Option (Usage): Must use

Function: To end and check the completeness of a message.

Element Summary:

<u>Ref</u>	<u>Tag</u>	<u>Element Name</u>	<u>Status</u>	<u>Type</u>	<u>Min/Max</u>	<u>Usage</u>
UNT010	0074	Number of segments in a message	M	n	1/10	Must use
		Description: The number of segments in a message body, plus the message header segment and message trailer segment.				
UNT020	0062	Message reference number	M	an	1/14	Must use
		Description: Unique message reference assigned by the sender.				

Notes:

1. 0062, the value shall be identical to the value in 0062 in the corresponding UNH segment.

UNZ INTERCHANGE TRAILER

Pos: Max: 1
Mandatory
Group: N/A Elements: 2

User Option (Usage): Must use

Function: To end and check the completeness of an interchange.

Element Summary:

<u>Ref</u>	<u>Tag</u>	<u>Element Name</u>	<u>Status</u>	<u>Type</u>	<u>Min/Max</u>	<u>Usage</u>
UNZ010	0036	Interchange control count	M	n	1/6	Must use
		Description: The number of messages and packages in an interchange or, if used, the number of groups in an interchange.				
UNZ020	0020	Interchange control reference	M	an	1/14	Must use
		Description: Unique reference assigned by the sender to an interchange.				

Notes:

1. 0020, the value shall be identical to the value in 0020 in the corresponding UNB segment.



Global DESADV / VDA 4987

EDIFACT/D07A/DESADV: Despatch advice message

Version: 1.3 Final

Publication:

01.07.2017

Notes:

**Based on VDA 4987, Version
1.1, October 2016**

Change Log

Version 1.1 October 2016	
Segment	Comment
LIN010	Required - populated with value coming from DELFOR
Version 1.2 June 2019	
Segment	Comment
GIN020	Required - New serial # format
Version 1.3 May 2020	
Segment	Comment
GIN020	Revised new serial # format for both Master/Mixed Master & Container loop

Table of Contents

DESADV	Despatch advice message	1
UNB	Interchange header	5
UNH	Message header	7
BGM	Beginning of message	8
DTM	Document generation	9
DTM	Despatch date	10
DTM	Estimated arrival date	11
DTM	Requested shipment date	12
DTM	Requested delivery date	13
ALI	Indicator for customs clearance	14
MEA	Consignment's gross weight	15
MEA	Consignment's net weight	16
MEA	Consignment volume (Total cube)	17
MEA	Loading meters	18
MEA	Number of handling units in shipment	19
MOA	Customs value of the shipment	20
Group 1	Segment Group 1	21
RFF	Transport document reference	22
DTM	Reference date (transport document)	23
Group 1	Segment Group 1	24
RFF	Conveyance reference number	25
Group 1	Segment Group 1	26
RFF	Packing list reference	27
DTM	Reference date (packing list)	28
Group 2	Segment Group 2	29
NAD	Ship from	30
LOC	Place of loading	32
Group 3	Segment Group 3	33
RFF	DUNS	34
Group 2	Segment Group 2	35
NAD	Ship to	36
LOC	Unloading point	38
LOC	Internal place of consumption	39
LOC	Place of transshipment	40
Group 3	Segment Group 3	41
RFF	DUNS Number	42
Group 2	Segment Group 2	43
NAD	Buyer / Customer	44
Group 3	Segment Group 3	46
RFF	DUNS Number	47
Group 3	Segment Group 3	48
RFF	VAT Number	49
Group 2	Segment Group 2	50
NAD	Seller / Supplier	51
Group 3	Segment Group 3	53
RFF	DUNS Number	54
Group 3	Segment Group 3	55
RFF	VAT Number	56
Group 2	Segment Group 2	57
NAD	Freight forwarder	58
Group 3	Segment Group 3	60
RFF	DUNS Number	61
Group 2	Segment Group 2	62
NAD	Carrier	63
Group 3	Segment Group 3	65

RFF	DUNS Number	66
Group 2	Segment Group 2	67
NAD	Ultimate consumer	68
Group 5	Segment Group 5	70
TOD	Terms of delivery or transport	71
LOC	Incoterms place	72
FTX	Terms of delivery - descriptive text	73
FTX	Preference information	74
Group 6	Segment Group 6	75
TDT	Means of transport	76
Group 8	Segment Group 8	78
EQD	Equipment details	79
SEL	Seal number	80
Group 10	Segment Group 10	81
CPS	Consignment packing sequence	82
Group 11	Segment Group 11	83
PAC	Package	84
MEA	Length	85
MEA	Width	86
MEA	Height	87
MEA	Maximum stacking weight	88
MEA	Package volume	89
QTY	Maximum stackability	90
QTY	Actual quantity per package	91
Group 13	Segment Group 13	92
PCI	Package identification	93
Group 15	Segment Group 15	94
GIN	Individual handling unit's transport label number	95
Group 15	Segment Group 15	96
GIN	Individual packaging item's label numbers	97
Group 15	Segment Group 15	98
GIN	Serial number	99
Group 16	Segment Group 16	100
COD	Component details	101
MEA	Gross weight	102
MEA	Net weight	103
Group 11	Segment Group 11	104
PAC	Package	105
MEA	Gross weight	106
MEA	Length	107
MEA	Width	108
MEA	Height	109
Group 10	Segment Group 10	110
CPS	Consignment packing sequence	111
Group 11	Segment Group 11	112
PAC	Package	113
MEA	Gross weight	114
MEA	Net weight	115
MEA	Length	116
MEA	Width	117
MEA	Height	118
MEA	Package volume	119
QTY	Maximum stackability	120
QTY	Actual quantity per package	121
Group 13	Segment Group 13	122
PCI	Package identification	123
DTM	Requested delivery date	124
Group 14	Segment Group 14	125
GIR	Manufacturing reference number and other relevant attributes of the vehicle	126
Group 14	Segment Group 14	128
GIR	Batch number	129
DTM	Manufacturing date	130

Group 15	Segment Group 15	131
GIN	Individual packaging item's label numbers	132
Group 15	Segment Group 15	133
GIN	Canban ID	134
Group 15	Segment Group 15	135
GIN	Packaging number assigned by customer	136
Group 15	Segment Group 15	137
GIN	Package / Container serial number	138
Group 15	Segment Group 15	139
GIN	Position number in package	140
Group 11	Segment Group 11	141
PAC	Package	142
MEA	Weight	143
MEA	Length	144
MEA	Width	145
MEA	Height	146
Group 17	Segment Group 17	147
LIN	Line item	148
PIA	Additional product id	149
IMD	Item description	151
MEA	Net weight	152
QTY	Despatched quantity	153
QTY	Quantity to be delivered	154
ALI	Country of origin	155
GIN	Serial Number(s)	156
GIN	Engine Number(s)	157
NAD	Manufacturer	158
FTX	Article long description	160
MOA	Customs declared value	161
Group 18	Segment Group 18	162
RFF	Shipment / Delivery note reference	163
DTM	Delivery note date	164
Group 18	Segment Group 18	165
RFF	Delivery instruction / schedule reference	166
CTA	Item related contact information	167
DTM	Reference date	168
Group 18	Segment Group 18	169
RFF	Order reference	170
DTM	Reference date	171
Group 18	Segment Group 18	172
RFF	Reference	173
DTM	Reference date	174
Group 19	Segment Group 19	175
DGS	Dangerous goods	176
FTX	Dangerous goods description	177
FTX	Dangerous goods declaration exception	178
Group 20	Segment Group 20	179
LOC	Unloading point	180
Group 20	Segment Group 20	181
LOC	Internal place of consumption	182
UNT	Message trailer	183
UNZ	Interchange trailer	184

DESADV

Despatch advice message

Heading:

<u>Pos</u>	<u>Tag</u>	<u>Segment Name</u>	<u>Status</u>	<u>Rep</u>	<u>Notes</u>	<u>Usage</u>	<u>Page</u>
0010	UNB	Interchange header	M	1		Required	5
0020	UNH	Message header	M	1		Required	7
0030	BGM	Beginning of message	M	1	N1/0030	Required	8
0040	DTM	Document generation	C	1	N1/0040	Required	9
0050	DTM	Despatch date	C	1	N1/0050	Required	10
0060	DTM	Estimated arrival date	C	1	N1/0060	Optional	11
0070	DTM	Requested shipment date	C	1	N1/0070	Optional	12
0080	DTM	Requested delivery date	C	1	N1/0080	Optional	13
0090	ALI	Indicator for customs clearance	C	2	N1/0090	Optional	14
0100	MEA	Consignment's gross weight	C	1	N1/0100	Required	15
0110	MEA	Consignment's net weight	C	1	N1/0110	Optional	16
0120	MEA	Consignment volume (Total cube)	C	1	N1/0120	Optional	17
0130	MEA	Loading meters	C	1	N1/0130	Optional	18
0140	MEA	Number of handling units in shipment	C	1	N1/0140	Optional	19
0150	MOA	Customs value of the shipment	C	1	N1/0150	Optional	20
0160		Segment Group 1	C	1	N1/0160	Optional	21
0170	RFF	Transport document reference	M	1	N1/0170	Required	22
0180	DTM	Reference date (transport document)	C	1	N1/0180	Optional	23
0190		Segment Group 1	C	5	N1/0190	Optional	24
0200	RFF	Conveyance reference number	M	1	N1/0200	Required	25
0210		Segment Group 1	C	1	N1/0210	Optional	26
0220	RFF	Packing list reference	M	1	N1/0220	Required	27
0230	DTM	Reference date (packing list)	C	1	N1/0230	Optional	28
0240		Segment Group 2	C	1	N1/0240	Required	29
0250	NAD	Ship from	M	1	N1/0250	Required	30
0260	LOC	Place of loading	C	1	N1/0260	Optional	32
0270		Segment Group 3	C	1	N1/0270	Optional	33
0280	RFF	DUNS	M	1	N1/0280	Required	34
0290		Segment Group 2	C	1	N1/0290	Required	35
0300	NAD	Ship to	M	1	N1/0300	Required	36
0310	LOC	Unloading point	C	1	N1/0310	Required	38
0320	LOC	Internal place of consumption	C	1	N1/0320	Optional	39
0330	LOC	Place of transshipment	C	1	N1/0330	Optional	40
0340		Segment Group 3	C	1	N1/0340	Optional	41
0350	RFF	DUNS Number	M	1	N1/0350	Required	42
0360		Segment Group 2	C	1	N1/0360	Optional	43
0370	NAD	Buyer / Customer	M	1	N1/0370	Required	44
0380		Segment Group 3	C	1	N1/0380	Optional	46
0390	RFF	DUNS Number	M	1	N1/0390	Required	47
0400		Segment Group 3	C	1	N1/0400	Optional	48
0410	RFF	VAT Number	M	1	N1/0410	Required	49

0430		Segment Group 2	C	1	N1/0430	Required	50
0440	NAD	Seller / Supplier	M	1	N1/0440	Required	51
0450		Segment Group 3	C	1	N1/0450	Optional	53
0460	RFF	DUNS Number	M	1	N1/0460	Required	54
0470		Segment Group 3	C	1	N1/0470	Optional	55
0480	RFF	VAT Number	M	1	N1/0480	Required	56
0490		Segment Group 2	C	1	N1/0490	Optional	57
0500	NAD	Freight forwarder	M	1	N1/0500	Required	58
0510		Segment Group 3	C	1	N1/0510	Optional	60
0520	RFF	DUNS Number	M	1	N1/0520	Required	61
0530		Segment Group 2	C	1	N1/0530	Optional	62
0540	NAD	Carrier	M	1	N1/0540	Required	63
0550		Segment Group 3	C	1	N1/0550	Optional	65
0560	RFF	DUNS Number	M	1	N1/0560	Required	66
0570		Segment Group 2	C	1	N1/0570	Optional	67
0580	NAD	Ultimate consumer	M	1	N1/0580	Required	68

Detail:

Pos	Tag	Segment Name	Status	Rep	Notes	Usage	Page
0590		Segment Group 5	C	10	N2/0590	Optional	70
0600	TOD	Terms of delivery or transport	M	1	N2/0600	Required	71
0610	LOC	Incoterms place	C	1	N2/0610	Optional	72
0620	FTX	Terms of delivery - descriptive text	C	5	N2/0620	Optional	73
0630	FTX	Preference information	C	1	N2/0630	Optional	74
0640		Segment Group 6	C	10	N2/0640	Optional	75
0650	TDT	Means of transport	M	1	N2/0650	Required	76
0660		Segment Group 8	C	10	N2/0660	Optional	78
0670	EQD	Equipment details	M	1	N2/0670	Required	79
0680	SEL	Seal number	C	25	N2/0680	Optional	80
0690		Segment Group 10	C	9999	N2/0690	Required	81
0700	CPS	Consignment packing sequence	M	1	N2/0700	Required	82
0710		Segment Group 11	C	9999	N2/0710	Optional	83
0720	PAC	Package	M	1	N2/0720	Required	84
0730	MEA	Length	C	1	N2/0730	Optional	85
0740	MEA	Width	C	1	N2/0740	Optional	86
0750	MEA	Height	C	1	N2/0750	Optional	87
0760	MEA	Maximum stacking weight	C	1	N2/0760	Optional	88
0770	MEA	Package volume	C	1	N2/0770	Optional	89
0780	QTY	Maximum stackability	C	1	N2/0780	Optional	90
0790	QTY	Actual quantity per package	C	1	N2/0790	Dependent	91
0800		Segment Group 13	C	1000	N2/0800	Optional	92
0810	PCI	Package identification	M	1	N2/0810	Required	93
0820		Segment Group 15	C	99	N2/0820	Dependent	94
0830	GIN	Individual handling unit's transport label number	M	1	N2/0830	Required	95
0840		Segment Group 15	C	99	N2/0840	Optional	96
0850	GIN	Individual packaging item's label numbers	M	1	N2/0850	Required	97
0860		Segment Group 15	C	99	N2/0860	Optional	98
0870	GIN	Serial number	M	1	N2/0870	Required	99

0880		Segment Group 16	C	99	N2/0880	Optional	100
0890	COD	Component details	M	1	N2/0890	Required	101
0900	MEA	Gross weight	C	9	N2/0900	Optional	102
0910	MEA	Net weight	C	9	N2/0910	Optional	103
0920		Segment Group 11	C	9999	N2/0920	Optional	104
0930	PAC	Package	M	1	N2/0930	Required	105
0940	MEA	Gross weight	C	1	N2/0940	Optional	106
0950	MEA	Length	C	1	N2/0950	Optional	107
0960	MEA	Width	C	1	N2/0960	Optional	108
0970	MEA	Height	C	1	N2/0970	Optional	109
0980		Segment Group 10	C	9999	N2/0980	Required	110
0990	CPS	Consignment packing sequence	M	1	N2/0990	Required	111
1000		Segment Group 11	C	9999	N2/1000	Optional	112
1010	PAC	Package	M	1	N2/1010	Required	113
1020	MEA	Gross weight	C	1	N2/1020	Optional	114
1030	MEA	Net weight	C	1	N2/1030	Optional	115
1040	MEA	Length	C	1	N2/1040	Optional	116
1050	MEA	Width	C	1	N2/1050	Optional	117
1060	MEA	Height	C	1	N2/1060	Optional	118
1070	MEA	Package volume	C	1	N2/1070	Optional	119
1080	QTY	Maximum stackability	C	1	N2/1080	Optional	120
1090	QTY	Actual quantity per package	C	1	N2/1090	Optional	121
1100		Segment Group 13	C	1000	N2/1100	Optional	122
1110	PCI	Package identification	M	1	N2/1110	Required	123
1120	DTM	Requested delivery date	C	1	N2/1120	Optional	124
1130		Segment Group 14	C	10	N2/1130	Dependent	125
1140	GIR	Manufacturing reference number and other relevant attributes of the vehicle	M	1	N2/1140	Required	126
1150		Segment Group 14	C	1	N2/1150	Optional	128
1160	GIR	Batch number	M	1	N2/1160	Required	129
1170	DTM	Manufacturing date	C	3	N2/1170	Dependent	130
1180		Segment Group 15	C	99	N2/1180	Optional	131
1190	GIN	Individual packaging item's label numbers	M	1	N2/1190	Required	132
1200		Segment Group 15	C	99	N2/1200	Optional	133
1210	GIN	Canban ID	M	1	N2/1210	Required	134
1220		Segment Group 15	C	99	N2/1220	Optional	135
1230	GIN	Packaging number assigned by customer	M	1	N2/1230	Required	136
1240		Segment Group 15	C	99	N2/1240	Optional	137
1250	GIN	Package / Container serial number	M	1	N2/1250	Required	138
1260		Segment Group 15	C	99	N2/1260	Optional	139
1270	GIN	Position number in package	M	1	N2/1270	Required	140
1280		Segment Group 11	C	9999	N2/1280	Optional	141
1290	PAC	Package	M	1	N2/1290	Required	142
1300	MEA	Weight	C	1	N2/1300	Optional	143
1310	MEA	Length	C	1	N2/1310	Optional	144
1320	MEA	Width	C	1	N2/1320	Optional	145
1330	MEA	Height	C	1	N2/1330	Optional	146
1340		Segment Group 17	C	9999	N2/1340	Required	147

0660	LIN	Line item	M	1	N2/0660	Required	148
1360	PIA	Additional product id	C	1	N2/1360	Optional	149
0680	IMD	Item description	C	25	N2/0680	Optional	151
1380	MEA	Net weight	C	1	N2/1380	Optional	152
1390	QTY	Despatched quantity	C	1	N2/1390	Required	153
1400	QTY	Quantity to be delivered	C	1	N2/1400	Dependent	154
1410	ALI	Country of origin	C	10	N2/1410	Optional	155
1420	GIN	Serial Number(s)	C	100	N2/1420	Optional	156
1430	GIN	Engine Number(s)	C	100	N2/1430	Optional	157
1440	NAD	Manufacturer	C	1	N2/1440	Optional	158
1450	FTX	Article long description	C	99	N2/1450	Optional	160
1460	MOA	Customs declared value	C	1	N2/1460	Optional	161
1470		Segment Group 18	C	1	N2/1470	Optional	162
1480	RFF	Shipment / Delivery note reference	M	1	N2/1480	Required	163
1490	DTM	Delivery note date	C	1	N2/1490	Optional	164
1500		Segment Group 18	C	5	N2/1500	Optional	165
1510	RFF	Delivery instruction / schedule reference	M	1	N2/1510	Required	166
1520	CTA	Item related contact information	C	1	N2/1520	Optional	167
1530	DTM	Reference date	C	1	N2/1530	Optional	168
1540		Segment Group 18	C	1	N2/1540	Required	169
1550	RFF	Order reference	M	1	N2/1550	Required	170
1560	DTM	Reference date	C	1	N2/1560	Optional	171
1570		Segment Group 18	C	99	N2/1570	Optional	172
1580	RFF	Reference	M	1	N2/1580	Required	173
1590	DTM	Reference date	C	1	N2/1590	Optional	174
1600		Segment Group 19	C	1	N2/1600	Optional	175
1610	DGS	Dangerous goods	M	1	N2/1610	Required	176
1620	FTX	Dangerous goods description	C	1	N2/1620	Optional	177
1630	FTX	Dangerous goods declaration exception	C	1	N2/1630	Optional	178
1640		Segment Group 20	C	1	N2/1640	Optional	179
1650	LOC	Unloading point	M	1	N2/1650	Required	180
1660		Segment Group 20	C	1	N2/1660	Optional	181
1670	LOC	Internal place of consumption	M	1	N2/1670	Required	182

Summary:

<u>Pos</u>	<u>Tag</u>	<u>Segment Name</u>	<u>Status</u>	<u>Rep</u>	<u>Notes</u>	<u>Usage</u>	<u>Page</u>
1680	UNT	Message trailer	M	1	N3/1680	Required	183
1690	UNZ	Interchange trailer	M	1		Required	184

UNB Interchange header

Pos: 0010	Max: 1
Mandatory	
Group: N/A	Elements: 11

User Option (Usage): Required

Function: To start, identify and specify an interchange.

Element Summary:

<u>Ref</u>	<u>Tag</u>	<u>Element Name</u>	<u>Status</u>	<u>Type</u>	<u>Min/Max</u>	<u>Usage</u>
UNB010	S001	SYNTAX IDENTIFIER	M	Comp		Required
UNB010-010	0001	Syntax identifier	M	a	1/4	Required
		<u>Code</u> <u>Name</u>				
		UNOA UN/ECE level A				
		UNOC UN/ECE level C				
UNB010-020	0002	Syntax version number	M	n	1/1	Required
		<u>Code</u> <u>Name</u>				
		2 Version 2				
		3 Version 3				
UNB020	S002	Interchange sender	M	Comp		Required
UNB020-010	0004	Sender identification	M	an	1/35	Required
UNB020-020	0007	Partner identification code qualifier	C	an	1/4	Optional
		<u>Code</u> <u>Name</u>				
		1 DUNS (Data Universal Numbering System)				
		9 DUNS (Data Universal Numbering System) with 4 digit suffix				
		18 ALAG (Automotive Industry Action Group)				
		59 ODETTE (Organization for Data Exchange through Tele-Transmission in Europe)				
		61 SCAC (Standard Carrier Alpha Code)				
		91 Assigned by seller or seller's agent				
		92 Assigned by buyer or buyer's agent				
		ZZZ Mutually defined				
UNB020-030	0008	Address for reverse routing	C	an	1/14	Optional
UNB030	S003	Interchange recipient	M	Comp		Required
UNB030-010	0010	Recipient identification	M	an	1/35	Required
UNB030-020	0007	Partner identification code qualifier	C	an	1/4	Optional
		Description:				
		<i>for code list see interchange sender</i>				
UNB030-030	0014	Routing address	C	an	1/14	Optional
UNB040	S004	Date/Time of preparation	M	Comp		Required
UNB040-010	0017	Date of preparation	M	n	1/6	Required
UNB040-020	0019	Time of preparation	M	n	1/4	Required
UNB050	0020	Interchange control reference	M	an	1/14	Required
UNB060	S005	Recipients reference password	C	Comp		Not used
UNB060-010	0022	Recipient's reference/password	M	an	1/14	Not used
UNB060-020	0025	Recipient's reference/password qualifier	C	an	2/2	Not used
UNB070	0026	Application reference	C	an	1/14	Not used

UNB080	0029	Processing priority code	C	a	1/1	Not used
UNB090	0031	Acknowledgement request	C	n	1/1	Not used
UNB100	0032	Cumunications agreement ID	C	an	1/35	Not used
UNB110	0035	Test indicator	C	n	1/1	Optional

Code**Name**

1

Interchange is a test

CSA Usage:**Example:**

UNH Message header

Pos: 0020	Max: 1
Mandatory	
Group: N/A	Elements: 2

User Option (Usage): Required

Function: To head, identify and specify a message.

Element Summary:

<u>Ref</u>	<u>Tag</u>	<u>Element Name</u>	<u>Status</u>	<u>Type</u>	<u>Min/Max</u>	<u>Usage</u>
UNH010	0062	Message reference number <i>Description: Message reference number (in the interchange)</i>	M	an	1/14	Required
UNH020	S009	Message Identifier	M	Comp		Required
UNH020-010	0065	Message type <u>Code</u> <u>Name</u> DESADV Despatch advice message	M	an	1/6	Required
UNH020-020	0052	Message version number <u>Code</u> <u>Name</u> D Draft version/UN/EDIFACT Directory	M	an	1/3	Required
UNH020-030	0054	Message release number <u>Code</u> <u>Name</u> 07A Release 2007 - A	M	an	1/3	Required
UNH020-040	0051	Controlling agency, coded <u>Code</u> <u>Name</u> UN UN/CEFACT	M	an	1/3	Required
UNH020-050	0057	Association assigned code <i>Description: Identifying the subset in use, assigned by responsible agency GAVF11 VDA DESADV Version 1.1 Identification of the subset release, assigned by VDA.</i> <u>Code</u> <u>Name</u> GAVF11 VDA DESADV Version 1.1	C	an	1/6	Optional

Example:

UNH+123+DESADV:D:07A:UN:GAVF11'

BGM Beginning of message

Pos: 0030	Max: 1
Mandatory	
Group: N/A	Elements: 3

User Option (Usage): Required

Function: To indicate the type and function of a message and to transmit the identifying number.

Element Summary:

<u>Ref</u>	<u>Tag</u>	<u>Element Name</u>	<u>Status</u>	<u>Type</u>	<u>Min/Max</u>	<u>Usage</u>
BGM010	C002	Document/Message Name	C	Comp		Required
BGM010-010	1001	Document name code	C	an	1/3	Required
		<u>Code</u> <u>Name</u>				
		2 Summarization despatch advice				
		3 Regularisation despatch advice / return delivery				
		37 JIS delivery - re-ordered parts				
		236 Delivery forecast				
		343 Cartage order (local transport)				
		345 Ready for despatch advice				
		351 Despatch advice				
BGM010-020	1131	Code list identification code	C	an	1/17	Dependent
BGM010-030	3055	Code list responsible agency code	C	an	1/3	Dependent
		<u>Code</u> <u>Name</u>				
		6 UN/ECE (United Nations - Economic Commission for Europe)				
BGM010-040	1000	Document name	C	an	1/35	Optional
BGM020	C106	Document/message identification	C	Comp		Required
BGM020-010	1004	Document identifier	C	an	1/35	Required
BGM020-020	1056	Version identifier	C	an	1/9	Not used
BGM020-030	1060	Revision identifier	C	an	1/6	Not used
BGM030	1225	Message function code	C	an	1/3	Optional
		<u>Code</u> <u>Name</u>				
		9 Original				

Example:

BGM+351+344987'

DTM Document generation

Pos: 0040	Max: 1
Conditional	
Group: N/A	Elements: 1

User Option (Usage): Required

Function: To specify date, and/or time, or period.

Element Summary:

<u>Ref</u>	<u>Tag</u>	<u>Element Name</u>	<u>Status</u>	<u>Type</u>	<u>Min/Max</u>	<u>Usage</u>
DTM010	C507	Date/Time/Period	M	Comp		Required
DTM010-010	2005	Date or time or period function code qualifier	M	an	1/3	Required
		<u>Code</u> <u>Name</u>				
		137 Document issue date time				
DTM010-020	2380	Date or time or period text	C	an	1/12	Required
DTM010-030	2379	Date or time or period format code	C	an	1/3	Optional
		<u>Code</u> <u>Name</u>				
		102 CCYYMMDD				
		203 CCYYMMDDHHMM				

Example:

DTM+137:20110409:102'

DTM Despatch date

Pos: 0050	Max: 1
Conditional	
Group: N/A	Elements: 1

User Option (Usage): Required

Function: To specify date, and/or time, or period.

Element Summary:

<u>Ref</u>	<u>Tag</u>	<u>Element Name</u>	<u>Status</u>	<u>Type</u>	<u>Min/Max</u>	<u>Usage</u>
DTM010	C507	Date/Time/Period	M	Comp		Required
DTM010-010	2005	Date or time or period function code qualifier	M	an	1/3	Required
		<u>Code</u> <u>Name</u>				
		11 Despatch date and or time				
DTM010-020	2380	Date or time or period text	C	an	1/12	Required
DTM010-030	2379	Date or time or period format code	C	an	1/3	Optional
		<u>Code</u> <u>Name</u>				
		102 CCYYMMDD				
		203 CCYYMMDDHHMM				

Example:

DTM+11:20110406:102'

DTM Estimated arrival date

Pos: 0060	Max: 1
Conditional	
Group: N/A	Elements: 1

User Option (Usage): Optional

Function: To specify date, and/or time, or period.

Element Summary:

<u>Ref</u>	<u>Tag</u>	<u>Element Name</u>	<u>Status</u>	<u>Type</u>	<u>Min/Max</u>	<u>Usage</u>
DTM010	C507	Date/Time/Period	M	Comp		Required
DTM010-010	2005	Date or time or period function code qualifier	M	an	1/3	Required
		<u>Code</u> <u>Name</u>				
		132 Transport means arrival date time, estimated				
DTM010-020	2380	Date or time or period text	C	n	1/12	Required
DTM010-030	2379	Date or time or period format code	C	an	1/3	Optional
		<u>Code</u> <u>Name</u>				
		102 CCYYMMDD				
		203 CCYYMMDDHHMM				

Example:

DTM+132:20110406:102'

DTM Requested shipment date

Pos: 0070	Max: 1
Conditional	
Group: N/A	Elements: 1

User Option (Usage): Optional

Function: To specify date, and/or time, or period.

Element Summary:

<u>Ref</u>	<u>Tag</u>	<u>Element Name</u>	<u>Status</u>	<u>Type</u>	<u>Min/Max</u>	<u>Usage</u>
DTM010	C507	Date/Time/Period	M	Comp		Required
DTM010-010	2005	Date or time or period function code qualifier	M	an	1/3	Required
		<u>Code</u> <u>Name</u>				
		10 Shipment date/time, requested				
DTM010-020	2380	Date or time or period text	C	an	1/12	Required
DTM010-030	2379	Date or time or period format code	C	an	1/3	Optional
		<u>Code</u> <u>Name</u>				
		102 CCYYMMDD				
		203 CCYYMMDDHHMM				

Example:

DTM+10:20110409:102'

DTM Requested delivery date

Pos: 0080	Max: 1
Conditional	
Group: N/A	Elements: 1

User Option (Usage): Optional

Function: To specify date, and/or time, or period.

Element Summary:

<u>Ref</u>	<u>Tag</u>	<u>Element Name</u>	<u>Status</u>	<u>Type</u>	<u>Min/Max</u>	<u>Usage</u>
DTM010	C507	Date/Time/Period	M	Comp		Required
DTM010-010	2005	Date or time or period function code qualifier	M	an	1/3	Required
		<u>Code</u> <u>Name</u>				
		2 Delivery date/time, requested				
DTM010-020	2380	Date or time or period text	C	n	1/12	Required
DTM010-030	2379	Date or time or period format code	C	an	1/3	Optional
		<u>Code</u> <u>Name</u>				
		102 CCYYMMDD				
		203 CCYYMMDDHHMM				

Example:

DTM+2:20131201:102'

ALI**Indicator for customs clearance**

Pos: 0090	Max: 2
Conditional	
Group: N/A	Elements: 3

User Option (Usage): Optional**Function:** To indicate that special conditions due to the origin, customs preference, fiscal or commercial factors are applicable.**Element Summary:**

<u>Ref</u>	<u>Tag</u>	<u>Element Name</u>	<u>Status</u>	<u>Type</u>	<u>Min/Max</u>	<u>Usage</u>
ALI010	3239	Country of origin identifier	C	an	1/3	Not used
ALI020	9213	Duty regime type code	C	an	1/3	Not used
ALI030	4183	Special condition code	C	an	1/3	Required
		<u>Code</u>		<u>Name</u>		
		66		Delivery without change of ownership		
		X01		Supplier organises customs clearance		

MEA Consignment's gross weight

Pos: 0100	Max: 1
Conditional	
Group: N/A	Elements: 3

User Option (Usage): Required

Function: To specify physical measurements, including dimension tolerances, weights and counts.

Element Summary:

<u>Ref</u>	<u>Tag</u>	<u>Element Name</u>	<u>Status</u>	<u>Type</u>	<u>Min/Max</u>	<u>Usage</u>
MEA010	6311	Measurement purpose code qualifier	M	an	1/3	Required
		<u>Code</u> <u>Name</u>				
		AAX Consignment measurement				
MEA020	C502	Measurement Details	C	Comp		Required
MEA020-010	6313	Measured attribute code	C	an	1/3	Required
		<u>Code</u> <u>Name</u>				
		AAD Consignment gross weight				
MEA020-020	6321	Measurement significance code	C	an	1/3	Not used
MEA020-030	6155	Non-discrete measurement name code	C	an	1/17	Not used
MEA020-040	6154	Non-discrete measurement name	C	an	1/70	Not used
MEA030	C174	Value/Range	C	Comp		Required
MEA030-010	6411	Measurement unit code	M	an	1/8	Required
		<u>Code</u> <u>Name</u>				
		KGM kilogram				
MEA030-020	6314	Measure	C	n	1/12	Required
		Description: <i>Gross weight - weight (mass) without carrier's equipment</i>				

Example:

MEA+AAX+AAD+KGM:8000.00'

MEA Consignment's net weight

Pos: 0110	Max: 1
Conditional	
Group: N/A	Elements: 3

User Option (Usage): Optional

Function: To specify physical measurements, including dimension tolerances, weights and counts.

Element Summary:

<u>Ref</u>	<u>Tag</u>	<u>Element Name</u>	<u>Status</u>	<u>Type</u>	<u>Min/Max</u>	<u>Usage</u>
MEA010	6311	Measurement purpose code qualifier	M	an	1/3	Required
		<u>Code</u> <u>Name</u>				
		AAX Consignment measurement				
MEA020	C502	Measurement Details	C	Comp		Required
MEA020-010	6313	Measured attribute code	C	an	1/3	Required
		<u>Code</u> <u>Name</u>				
		AAL Net weight				
MEA020-020	6321	Measurement significance code	C	an	1/3	Not used
MEA020-030	6155	Non-discrete measurement name code	C	an	1/17	Not used
MEA020-040	6154	Non-discrete measurement name	C	an	1/70	Not used
MEA030	C174	Value/Range	C	Comp		Required
MEA030-010	6411	Measurement unit code	M	an	1/8	Required
		<u>Code</u> <u>Name</u>				
		KGM kilogram				
MEA030-020	6314	Measure	C	n	1/12	Required
		Description: <i>Weight (mass) of the goods</i>				

Example:

MEA+AAX+AAL+KGM:7900.00'

MEA Consignment volume (Total cube)

Pos: 0120	Max: 1
Group: N/A	Elements: 3

User Option (Usage): Optional

Function: To specify physical measurements, including dimension tolerances, weights and counts.

Element Summary:

<u>Ref</u>	<u>Tag</u>	<u>Element Name</u>	<u>Status</u>	<u>Type</u>	<u>Min/Max</u>	<u>Usage</u>
MEA010	6311	Measurement purpose code qualifier	M	an	1/3	Required
		<u>Code</u> <u>Name</u>				
		AAX Consignment measurement				
MEA020	C502	Measurement Details	C	Comp		Required
MEA020-010	6313	Measured attribute code	C	an	1/3	Required
		<u>Code</u> <u>Name</u>				
		ABJ Volume				
MEA020-020	6321	Measurement significance code	C	an	1/3	Not used
MEA020-030	6155	Non-discrete measurement name code	C	an	1/17	Not used
MEA020-040	6154	Non-discrete measurement name	C	an	1/70	Not used
MEA030	C174	Value/Range	C	Comp		Required
MEA030-010	6411	Measurement unit code	M	an	1/8	Required
		<u>Code</u> <u>Name</u>				
		DMQ cubic decimetre				
		LTR litre				
		MTQ cubic metre				
MEA030-020	6314	Measure	C	n	1/9	Required
		Description: <i>Volume</i>				

Example:

MEA+AAX+ABJ+:7900.00'

MEA Loading meters

Pos: 0130	Max: 1
Conditional	
Group: N/A	Elements: 3

User Option (Usage): Optional

Function: To specify physical measurements, including dimension tolerances, weights and counts.

Element Summary:

<u>Ref</u>	<u>Tag</u>	<u>Element Name</u>	<u>Status</u>	<u>Type</u>	<u>Min/Max</u>	<u>Usage</u>
MEA010	6311	Measurement purpose code qualifier	M	an	1/3	Required
		<u>Code</u> <u>Name</u>				
		AAX Consignment measurement				
		LMT Loading meters				
MEA020	C502	Measurement Details	C	Comp		Not used
MEA020-010	6313	Measured attribute code	C	an	1/3	Not used
MEA020-020	6321	Measurement significance code	C	an	1/3	Not used
MEA020-030	6155	Non-discrete measurement name code	C	an	1/17	Not used
MEA020-040	6154	Non-discrete measurement name	C	an	1/70	Not used
MEA030	C174	Value/Range	C	Comp		Required
MEA030-010	6411	Measurement unit code	M	an	1/8	Required
		<u>Code</u> <u>Name</u>				
		MTR metre				
MEA030-020	6314	Measure	C	n	1/9	Required
		Description: <i>Loading meter</i>				

MEA**Number of handling units in shipment**

Pos: 0140	Max: 1
Conditional	
Group: N/A	Elements: 3

User Option (Usage): Optional**Function:** To specify physical measurements, including dimension tolerances, weights and counts.**Element Summary:**

<u>Ref</u>	<u>Tag</u>	<u>Element Name</u>	<u>Status</u>	<u>Type</u>	<u>Min/Max</u>	<u>Usage</u>
MEA010	6311	Measurement purpose code qualifier	M	an	1/3	Required
		<u>Code</u> <u>Name</u>				
		AAE Measurement				
MEA020	C502	Measurement details	C	Comp		Not used
MEA020-010	6313	Measured attribute code	C	an	1/3	Not used
		<u>Code</u> <u>Name</u>				
		AAE Item gross weight				
MEA020-020	6321	Measurement significance code	C	an	1/3	Not used
MEA020-030	6155	Non-discrete measurement name code	C	an	1/17	Not used
MEA020-040	6154	Non-discrete measurement name	C	an	1/70	Not used
MEA030	C174	Value/Range	C	Comp		Required
MEA030-010	6411	Measurement unit code	M	an	1/8	Required
		<u>Code</u> <u>Name</u>				
		C62 one				
		PCE piece				
MEA030-020	6314	Measure	C	an	1/18	Required

Example:

MEA+AAE++C62:6.00'

MOA Customs value of the shipment

Pos: 0150	Max: 1
Conditional	
Group: N/A	Elements: 1

User Option (Usage): Optional

Function: To specify a monetary amount.

Element Summary:

<u>Ref</u>	<u>Tag</u>	<u>Element Name</u>	<u>Status</u>	<u>Type</u>	<u>Min/Max</u>	<u>Usage</u>
MOA010	C516	Monetary amount	M	Comp		Required
MOA010-010	5025	Monetary amount type code qualifier	M	an	1/3	Required
		<u>Code</u>		<u>Name</u>		
		40		Goods item for customs declared value amount		
MOA010-020	5004	Monetary amount	C	n	1/35	Required
MOA010-030	6345	Currency identification code	C	an	1/3	Required

Example:

MOA+40:200000:EUR'

Segment Group 1

Pos: 0160	Repeat: 1
Conditional	
Group: 1	Elements: N/A

User Option (Usage): Optional

Function: Transport document reference

A group of segments giving references where necessary, their dates relating to the whole message,

Segment Group Summary:

<u>Pos</u>	<u>Tag</u>	<u>Segment Name</u>	<u>Status</u>	<u>Rep</u>	<u>Usage</u>
0170	RFF	Transport document reference	M	1	Required
0180	DTM	Reference date (transport document)	C	1	Optional

RFF Transport document reference

Pos: 0170	Max: 1
Mandatory	
Group: 1	Elements: 1

Loop Path: Group 1

User Option (Usage): Required

Function: To specify a reference.

Element Summary:

<u>Ref</u>	<u>Tag</u>	<u>Element Name</u>	<u>Status</u>	<u>Type</u>	<u>Min/Max</u>	<u>Usage</u>
RFF010	C506	Reference	M	Comp		Required
RFF010-010	1153	Reference code qualifier	M	an	1/3	Required
		<u>Code</u>				
		AAS				
		<u>Name</u>				
		Transport contract document identifier				
RFF010-020	1154	Reference identifier	C	an	1/70	Required
RFF010-030	1156	Document line identifier	C	an	1/6	Optional

Example:

RFF+AAS:TD-2002-101:120'

DTM**Reference date (transport document)**

Pos: 0180	Max: 1
Conditional	
Group: 1	Elements: 1

Loop Path: Group 1**User Option (Usage):** Optional**Function:** To specify date, and/or time, or period.**Element Summary:**

<u>Ref</u>	<u>Tag</u>	<u>Element Name</u>	<u>Status</u>	<u>Type</u>	<u>Min/Max</u>	<u>Usage</u>
DTM010	C507	Date/Time/Period	M	Comp		Required
DTM010-010	2005	Date or time or period function code qualifier	M	an	1/3	Required
		<u>Code</u> <u>Name</u>				
		171 Reference date/time				
DTM010-020	2380	Date or time or period text	C	n	1/12	Required
DTM010-030	2379	Date or time or period format code	C	an	1/3	Optional
		<u>Code</u> <u>Name</u>				
		102 CCYYMMDD				
		203 CCYYMMDDHHMM				

Example:*DTM+171:20021123:102'*

Segment Group 1

Pos: 0190	Repeat: 5
Conditional	
Group: 1	Elements: N/A

User Option (Usage): Optional

Function: Conveyance reference number(s)

A group of segments giving references where necessary, their dates relating to the whole message,

Segment Group Summary:

<u>Pos</u>	<u>Tag</u>	<u>Segment Name</u>	<u>Status</u>	<u>Rep</u>	<u>Usage</u>
0200	RFF	Conveyance reference number	M	1	Required

RFF**Conveyance reference number**

Pos: 0200	Max: 1
Mandatory	
Group: 1	Elements: 1

Loop Path: Group 1**User Option (Usage):** Required**Function:** To specify a reference.**Element Summary:**

<u>Ref</u>	<u>Tag</u>	<u>Element Name</u>	<u>Status</u>	<u>Type</u>	<u>Min/Max</u>	<u>Usage</u>
RFF010	C506	Reference	M	Comp		Required
RFF010-010	1153	Reference code qualifier	M	an	1/3	Required
		<u>Code</u>		<u>Name</u>		
		AAN		Delivery schedule number		
		AAO		Consignment identifier, consignee assigned		
		AVU		Unique goods shipment identifier		
		CRN		Transport means journey identifier		
RFF010-020	1154	Reference identifier	C	an	1/35	Required

Example:

RFF+CRN:23031101'

Segment Group 1

Pos: 0210	Repeat: 1
Conditional	
Group: 1	Elements: N/A

User Option (Usage): Optional

Function: Packing list reference

A group of segments giving references where necessary, their dates relating to the whole message

Segment Group Summary:

<u>Pos</u>	<u>Tag</u>	<u>Segment Name</u>	<u>Status</u>	<u>Rep</u>	<u>Usage</u>
0220	RFF	Packing list reference	M	1	Required
0230	DTM	Reference date (packing list)	C	1	Optional

RFF Packing list reference

Pos: 0220	Max: 1
Mandatory	
Group: 1	Elements: 1

Loop Path: Group 1

User Option (Usage): Required

Function: To specify a reference.

Element Summary:

<u>Ref</u>	<u>Tag</u>	<u>Element Name</u>	<u>Status</u>	<u>Type</u>	<u>Min/Max</u>	<u>Usage</u>
RFF010	C506	Reference	M	Comp		Required
RFF010-010	1153	Reference code qualifier	M	an	1/3	Required
		<u>Code</u> <u>Name</u>				
		PK Packing list number				
RFF010-020	1154	Reference identifier	C	an	1/70	Required
RFF010-030	1156	Document line identifier	C	an	1/6	Optional

Example:

RFF+PK:PK-20021123-21'

DTM**Reference date (packing list)**

Pos: 0230	Max: 1
Conditional	
Group: 1	Elements: 1

Loop Path: Group 1

User Option (Usage): Optional

Function: To specify date, and/or time, or period.

Element Summary:

<u>Ref</u>	<u>Tag</u>	<u>Element Name</u>	<u>Status</u>	<u>Type</u>	<u>Min/Max</u>	<u>Usage</u>
DTM010	C507	Date/Time/Period	M	Comp		Required
DTM010-010	2005	Date or time or period function code qualifier	M	an	1/3	Required
		<u>Code</u> <u>Name</u>				
		171 Reference date/time				
DTM010-020	2380	Date or time or period text	C	n	1/12	Required
DTM010-030	2379	Date or time or period format code	C	an	1/3	Optional
		<u>Code</u> <u>Name</u>				
		102 CCYYMMDD				
		203 CCYYMMDDHHMM				

Example:

DTM+171:20021130:102'

Segment Group 2

Pos: 0240	Repeat: 1
Conditional	
Group: 2	Elements: N/A

User Option (Usage): Required

Function: Ship from

A group of segments identifying names, addresses, locations, and required supporting documents relevant to the whole Despatch Advice.

Segment Group Summary:

<u>Pos</u>	<u>Tag</u>	<u>Segment Name</u>	<u>Status</u>	<u>Rep</u>	<u>Usage</u>
0250	NAD	Ship from	M	1	Required
0260	LOC	Place of loading	C	1	Optional
0270		Segment Group 3	C	1	Optional

NAD Ship from

Pos: 0250	Max: 1
Group: 2	Elements: 9
Mandatory	

Loop Path: Group 2

User Option (Usage): Required

Function: To specify the name/address and their related function.

Element Summary:

<u>Ref</u>	<u>Tag</u>	<u>Element Name</u>	<u>Status</u>	<u>Type</u>	<u>Min/Max</u>	<u>Usage</u>
NAD010	3035	Party function code qualifier	M	an	1/3	Required
		<u>Code</u> <u>Name</u>				
		SF Ship from				
NAD020	C082	Party identification details	C	Comp		Required
NAD020-010	3039	Party identifier	M	an	1/20	Required
NAD020-020	1131	Code list identification code	C	an	1/17	Not used
NAD020-030	3055	Code list responsible agency code	C	an	1/3	Required
		<u>Code</u> <u>Name</u>				
		91 Assigned by seller or seller's agent				
		92 Assigned by buyer or buyer's agent				
NAD030	C058	Name and address	C	Comp		Not used
NAD030-010	3124	Name and address description	M	an	1/35	Not used
NAD030-020	3124	Name and address description	C	an	1/35	Not used
NAD030-030	3124	Name and address description	C	an	1/35	Not used
NAD030-040	3124	Name and address description	C	an	1/35	Not used
NAD030-050	3124	Name and address description	C	an	1/35	Not used
NAD040	C080	Party name	C	Comp		Optional
NAD040-010	3036	Party name	M	an	1/35	Required
NAD040-020	3036	Party name	C	an	1/35	Optional
NAD040-030	3036	Party name	C	an	1/35	Not used
NAD040-040	3036	Party name	C	an	1/35	Not used
NAD040-050	3036	Party name	C	an	1/35	Not used
NAD040-060	3045	Party name format code	C	an	1/3	Not used
NAD050	C059	Street	C	Comp		Optional
NAD050-010	3042	Street and number or post office box identifier	M	an	1/35	Required
NAD050-020	3042	Street and number or post office box identifier	C	an	1/35	Optional
NAD050-030	3042	Street and number or post office box identifier	C	an	1/35	Not used
NAD050-040	3042	Street and number or post office box identifier	C	an	1/35	Not used
NAD060	3164	City name	C	an	1/35	Optional
NAD070	C819	Country subdivision details	C	Comp		Optional

NAD070-010	3229	Country subdivision identifier	C	an	1/9	Required
NAD070-020	1131	Code list identification code	C	an	1/17	Not used
NAD070-030	3055	Code list responsible agency code	C	an	1/3	Not used
NAD070-040	3228	Country subdivision name	C	an	1/70	Not used
NAD080	3251	Postal identification code	C	an	1/17	Optional
NAD090	3207	Country identifier	C	an	1/3	Optional

Example:*NAD+SF+::91'*

LOC Place of loading

Pos: 0260	Max: 1
Conditional	
Group: 2	Elements: 2

Loop Path: Group 2

User Option (Usage): Optional

Function: To identify a place or a location and/or related locations.

Element Summary:

<u>Ref</u>	<u>Tag</u>	<u>Element Name</u>	<u>Status</u>	<u>Type</u>	<u>Min/Max</u>	<u>Usage</u>
LOC010	3227	Location function code qualifier	M	an	1/3	Required
		<u>Code</u> <u>Name</u>				
		9 Place of loading				
LOC020	C517	Location identification	C	Comp		Required
LOC020-010	3225	Location identifier	C	an	1/17	Required
LOC020-020	1131	Code list identification code	C	an	1/17	Not used
LOC020-030	3055	Code list responsible agency code	C	an	1/3	Optional
LOC020-040	3224	Location name	C	an	1/256	Optional

CSA Usage:

Location from where the goods are loaded for transport.

Segment Group 3

Pos: 0270	Repeat: 1
Conditional	
Group: 3	Elements: N/A

Loop Path: Group 2

User Option (Usage): Optional

Function: DUNS Number

A group of segments giving references relevant only to the specified party rather than the whole message.

Segment Group Summary:

<u>Pos</u>	<u>Tag</u>	<u>Segment Name</u>	<u>Status</u>	<u>Rep</u>	<u>Usage</u>
0280	RFF	DUNS	M	1	Required

RFF DUNS

Pos: 0280	Max: 1
Mandatory	
Group: 3	Elements: 1

Loop Path: Group 2-Group 3
User Option (Usage): Required
Function: To specify a reference.

Element Summary:

<u>Ref</u>	<u>Tag</u>	<u>Element Name</u>	<u>Status</u>	<u>Type</u>	<u>Min/Max</u>	<u>Usage</u>
RFF010	C506	Reference	M	Comp		Required
RFF010-010	1153	Reference code qualifier	M	an	1/3	Required
		<u>Code</u>		<u>Name</u>		
		ANK		Reference number assigned by third party		
RFF010-020	1154	Reference identifier	C	an	1/17	Required

Segment Group 2

Pos: 0290	Repeat: 1
Conditional	
Group: 2	Elements: N/A

User Option (Usage): Required

Function: Ship to

A group of segments identifying names, addresses, locations, and required supporting documents relevant to the whole Despatch Advice.

Segment Group Summary:

<u>Pos</u>	<u>Tag</u>	<u>Segment Name</u>	<u>Status</u>	<u>Rep</u>	<u>Usage</u>
0300	NAD	Ship to	M	1	Required
0310	LOC	Unloading point	C	1	Required
0320	LOC	Internal place of consumption	C	1	Optional
0330	LOC	Place of transshipment	C	1	Optional
0340		Segment Group 3	C	1	Optional

NAD Ship to

Pos: 0300	Max: 1
Group: 2	Elements: 9
Mandatory	

Loop Path: Group 2

User Option (Usage): Required

Function: To specify the name/address and their related function.

Element Summary:

<u>Ref</u>	<u>Tag</u>	<u>Element Name</u>	<u>Status</u>	<u>Type</u>	<u>Min/Max</u>	<u>Usage</u>
NAD010	3035	Party function code qualifier	M	an	1/3	Required
		<u>Code</u> <u>Name</u>				
		ST Ship to				
NAD020	C082	Party identification details	C	Comp		Required
NAD020-010	3039	Party identifier	M	an	1/20	Required
NAD020-020	1131	Code list identification code	C	an	1/17	Not used
NAD020-030	3055	Code list responsible agency code	C	an	1/3	Required
		<u>Code</u> <u>Name</u>				
		16 US, D&B (Dun & Bradstreet Corporation)				
		92 Assigned by buyer or buyer's agent				
NAD030	C058	Name and Address	C	Comp		Not used
NAD030-010	3124	Name and address description	M	an	1/35	Not used
NAD030-020	3124	Name and address description	C	an	1/35	Not used
NAD030-030	3124	Name and address description	C	an	1/35	Not used
NAD030-040	3124	Name and address description	C	an	1/35	Not used
NAD030-050	3124	Name and address description	C	an	1/35	Not used
NAD040	C080	Party name	C	Comp		Optional
NAD040-010	3036	Party name	M	an	1/35	Required
NAD040-020	3036	Party name	C	an	1/35	Optional
NAD040-030	3036	Party name	C	an	1/35	Not used
NAD040-040	3036	Party name	C	an	1/35	Not used
NAD040-050	3036	Party name	C	an	1/35	Not used
NAD040-060	3045	Party name format code	C	an	1/3	Not used
NAD050	C059	Street	C	Comp		Optional
NAD050-010	3042	Street and number or post office box identifier	M	an	1/35	Required
NAD050-020	3042	Street and number or post office box identifier	C	an	1/35	Optional
NAD050-030	3042	Street and number or post office box identifier	C	an	1/35	Not used
NAD050-040	3042	Street and number or post office box identifier	C	an	1/35	Not used
NAD060	3164	City name	C	an	1/35	Optional
NAD070	C819	Country Subdivision Details	C	Comp		Optional

NAD070-010	3229	Country subdivision identifier	C	an	1/9	Conditional
NAD070-020	1131	Code list identification code	C	an	1/17	Not used
NAD070-030	3055	Code list responsible agency code	C	an	1/3	Not used
NAD070-040	3228	Country subdivision name	C	an	1/70	Not used
NAD080	3251	Postal identification code	C	an	1/17	Optional
NAD090	3207	Country identifier	C	a	2/2	Optional

Example:

NAD+ST+THO::9 2'

LOC Unloading point

Pos: 0310	Max: 1
Conditional	
Group: 2	Elements: 2

Loop Path: Group 2

User Option (Usage): Required

Function: To identify a place or a location and/or related locations.

Element Summary:

<u>Ref</u>	<u>Tag</u>	<u>Element Name</u>	<u>Status</u>	<u>Type</u>	<u>Min/Max</u>	<u>Usage</u>
LOC010	3227	Location function code qualifier	M	an	1/3	Required
		CSA Usage: <i>used as unloading point</i>				
		Code		Name		
		11		Place of discharge		
LOC020	C517	Location Identification	C	Comp		Required
LOC020-010	3225	Location identifier	C	an	1/35	Optional
LOC020-020	1131	Code list identification code	C	an	1/17	Not used
LOC020-030	3055	Code list responsible agency code	C	an	1/3	Optional
LOC020-040	3224	Location name	C	an	1/256	Optional

Example:

LOC+11+24000'

LOC Internal place of consumption

Pos: 0320	Max: 1
Group: 2	Elements: 2
Conditional	

Loop Path: Group 2

User Option (Usage): Optional

Function: To identify a place or a location and/or related locations.

Element Summary:

<u>Ref</u>	<u>Tag</u>	<u>Element Name</u>	<u>Status</u>	<u>Type</u>	<u>Min/Max</u>	<u>Usage</u>
LOC010	3227	Location function code qualifier	M	an	1/3	Required
		<u>Code</u> <u>Name</u>				
		7 Place of delivery				
LOC020	C517	Location Identification	C	Comp		Required
LOC020-010	3225	Location identifier	C	an	1/35	Optional
LOC020-020	1131	Code list identification code	C	an	1/17	Not used
LOC020-030	3055	Code list responsible agency code	C	an	1/3	Optional
LOC020-040	3224	Location name	C	an	1/256	Optional

Example:

LOC+7+0004'

LOC Place of transshipment

Pos: 0330	Max: 1
Group: 2	Elements: 2
Conditional	

Loop Path: Group 2

User Option (Usage): Optional

Function: To identify a place or a location and/or related locations.

Element Summary:

<u>Ref</u>	<u>Tag</u>	<u>Element Name</u>	<u>Status</u>	<u>Type</u>	<u>Min/Max</u>	<u>Usage</u>
LOC010	3227	Location function code qualifier	M	an	1/3	Required
		<u>Code</u> <u>Name</u>				
		13 Place of transshipment				
LOC020	C517	Location identification	C	Comp		Required
LOC020-010	3225	Location identifier	C	an	1/35	Optional
LOC020-020	1131	Code list identification code	C	an	1/17	Not used
LOC020-030	3055	Code list responsible agency code	C	an	1/3	Not used
LOC020-040	3224	Location name	C	an	1/256	Optional

Example:

LOC+13+0004'

Segment Group 3

Pos: 0340	Repeat: 1
Conditional	
Group: 3	Elements: N/A

Loop Path: Group 2
User Option (Usage): Optional
Function: DUNS Number

A group of segments giving references relevant only to the specified party rather than the whole message.

Segment Group Summary:

<u>Pos</u>	<u>Tag</u>	<u>Segment Name</u>	<u>Status</u>	<u>Rep</u>	<u>Usage</u>
0350	RFF	DUNS Number	M	1	Required

RFF DUNS Number

Pos: 0350	Max: 1
Mandatory	
Group: 3	Elements: 1

Loop Path: Group 2-Group 3
 User Option (Usage): Required
 Function: To specify a reference.

Element Summary:

<u>Ref</u>	<u>Tag</u>	<u>Element Name</u>	<u>Status</u>	<u>Type</u>	<u>Min/Max</u>	<u>Usage</u>
RFF010	C506	Reference	M	Comp		Required
RFF010-010	1153	Reference code qualifier	M	an	1/3	Required
		<u>Code</u> <u>Name</u>				
		ANK Reference number assigned by third party				
RFF010-020	1154	Reference identifier	C	an	1/17	Required

Segment Group 2

Pos: 0360	Repeat: 1
Conditional	
Group: 2	Elements: N/A

User Option (Usage): Optional

Function: Buyer / Customer

A group of segments identifying names, addresses, locations, and required supporting documents relevant to the whole Despatch Advice.

Segment Group Summary:

<u>Pos</u>	<u>Tag</u>	<u>Segment Name</u>	<u>Status</u>	<u>Rep</u>	<u>Usage</u>
0370	NAD	Buyer / Customer	M	1	Required
0380		Segment Group 3	C	1	Optional
0400		Segment Group 3	C	1	Optional

NAD Buyer / Customer

Pos: 0370	Max: 1
Mandatory	
Group: 2	Elements: 9

Loop Path: Group 2

User Option (Usage): Required

Function: To specify the name/address and their related function.

Element Summary:

<u>Ref</u>	<u>Tag</u>	<u>Element Name</u>	<u>Status</u>	<u>Type</u>	<u>Min/Max</u>	<u>Usage</u>
NAD010	3035	Party function code qualifier	M	an	1/3	Required
		<u>Code</u> <u>Name</u>				
		BY Buyer				
NAD020	C082	Party Identification Details	C	Comp		Required
NAD020-010	3039	Party identifier	M	an	1/35	Required
NAD020-020	1131	Code list identification code	C	an	1/17	Not used
NAD020-030	3055	Code list responsible agency code	C	an	1/3	Required
		<u>Code</u> <u>Name</u>				
		91 Assigned by seller or seller's agent				
		92 Assigned by buyer or buyer's agent				
NAD030	C058	Name and Address	C	Comp		Not used
NAD030-010	3124	Name and address description	M	an	1/35	Not used
NAD030-020	3124	Name and address description	C	an	1/35	Not used
NAD030-030	3124	Name and address description	C	an	1/35	Not used
NAD030-040	3124	Name and address description	C	an	1/35	Not used
NAD030-050	3124	Name and address description	C	an	1/35	Not used
NAD040	C080	Party Name	C	Comp		Optional
NAD040-010	3036	Party name	M	an	1/35	Required
NAD040-020	3036	Party name	C	an	1/35	Optional
NAD040-030	3036	Party name	C	an	1/35	Not used
NAD040-040	3036	Party name	C	an	1/35	Not used
NAD040-050	3036	Party name	C	an	1/35	Not used
NAD040-060	3045	Party name format code	C	an	1/3	Not used
NAD050	C059	Street	C	Comp		Optional
NAD050-010	3042	Street and number or post office box identifier	M	an	1/35	Required
NAD050-020	3042	Street and number or post office box identifier	C	an	1/35	Optional
NAD050-030	3042	Street and number or post office box identifier	C	an	1/35	Not used
NAD050-040	3042	Street and number or post office box identifier	C	an	1/35	Not used
NAD060	3164	City name	C	an	1/35	Optional
NAD070	C819	Country subdivision details	C	Comp		Optional

NAD070-010	3229	Country subdivision identifier	C	an	1/9	Required
NAD070-020	1131	Code list identification code	C	an	1/17	Not used
NAD070-030	3055	Code list responsible agency code	C	an	1/3	Not used
NAD070-040	3228	Country subdivision name	C	an	1/70	Not used
NAD080	3251	Postal identification code	C	an	1/17	Optional
NAD090	3207	Country identifier	C	an	1/3	Optional

Example:*NAD+BY+850128 '*

Segment Group 3

Pos: 0380	Repeat: 1
Conditional	
Group: 3	Elements: N/A

Loop Path: Group 2

User Option (Usage): Optional

Function: DUNS Number

A group of segments giving references relevant only to the specified party rather than the whole message.

Segment Group Summary:

<u>Pos</u>	<u>Tag</u>	<u>Segment Name</u>	<u>Status</u>	<u>Rep</u>	<u>Usage</u>
0390	RFF	DUNS Number	M	1	Required

RFF DUNS Number

Pos: 0390	Max: 1
Mandatory	
Group: 3	Elements: 1

Loop Path: Group 2-Group 3
 User Option (Usage): Required
 Function: To specify a reference.

Element Summary:

<u>Ref</u>	<u>Tag</u>	<u>Element Name</u>	<u>Status</u>	<u>Type</u>	<u>Min/Max</u>	<u>Usage</u>
RFF010	C506	Reference	M	Comp		Required
RFF010-010	1153	Reference code qualifier	M	an	1/3	Required
		<u>Code</u> <u>Name</u>				
		ANK Reference number assigned by third party				
RFF010-020	1154	Reference identifier	C	an	1/17	Required

Segment Group 3

Pos: 0400	Repeat: 1
Conditional	
Group: 3	Elements: N/A

Loop Path: Group 2

User Option (Usage): Optional

Function: VAT Number

A group of segments giving references relevant only to the specified party rather than the whole message.

Segment Group Summary:

<u>Pos</u>	<u>Tag</u>	<u>Segment Name</u>	<u>Status</u>	<u>Rep</u>	<u>Usage</u>
0410	RFF	VAT Number	M	1	Required

RFF VAT Number

Pos: 0410	Max: 1
Mandatory	
Group: 3	Elements: 1

Loop Path: Group 2-Group 3
User Option (Usage): Required
Function: To specify a reference.

Element Summary:

<u>Ref</u>	<u>Tag</u>	<u>Element Name</u>	<u>Status</u>	<u>Type</u>	<u>Min/Max</u>	<u>Usage</u>
RFF010	C506	Reference	M	Comp		Required
RFF010-010	1153	Reference code qualifier	M	an	1/3	Required
		<u>Code</u> <u>Name</u>				
		VA VAT registration number				
RFF010-020	1154	Reference identifier	C	an	1/17	Required

Example:

RFF+VA:DE 88776655'

Segment Group 2

Pos: 0430	Repeat: 1
Conditional	
Group: 2	Elements: N/A

User Option (Usage): Required

Function: Seller / Supplier

A group of segments identifying names, addresses, locations, and required supporting documents relevant to the whole Despatch Advice.

Segment Group Summary:

<u>Pos</u>	<u>Tag</u>	<u>Segment Name</u>	<u>Status</u>	<u>Rep</u>	<u>Usage</u>
0440	NAD	Seller / Supplier	M	1	Required
0450		Segment Group 3	C	1	Optional
0470		Segment Group 3	C	1	Optional

NAD**Seller / Supplier**

Pos: 0440	Max: 1
Mandatory	
Group: 2	Elements: 9

Loop Path: Group 2**User Option (Usage):** Required**Function:** To specify the name/address and their related function.**Element Summary:**

<u>Ref</u>	<u>Tag</u>	<u>Element Name</u>	<u>Status</u>	<u>Type</u>	<u>Min/Max</u>	<u>Usage</u>
NAD010	3035	Party function code qualifier	M	an	1/3	Required
		<u>Code</u> <u>Name</u>				
		SE Seller				
NAD020	C082	Party identification details	C	Comp		Required
NAD020-010	3039	Party identifier	M	an	1/35	Required
NAD020-020	1131	Code list identification code	C	an	1/17	Not used
NAD020-030	3055	Code list responsible agency code	C	an	1/3	Required
		<u>Code</u> <u>Name</u>				
		91 Assigned by seller or seller's agent				
		92 Assigned by buyer or buyer's agent				
NAD030	C058	Name and address	C	Comp		Not used
NAD030-010	3124	Name and address description	M	an	1/35	Not used
NAD030-020	3124	Name and address description	C	an	1/35	Not used
NAD030-030	3124	Name and address description	C	an	1/35	Not used
NAD030-040	3124	Name and address description	C	an	1/35	Not used
NAD030-050	3124	Name and address description	C	an	1/35	Not used
NAD040	C080	Party name	C	Comp		Optional
NAD040-010	3036	Party name	M	an	1/35	Required
NAD040-020	3036	Party name	C	an	1/35	Optional
NAD040-030	3036	Party name	C	an	1/35	Not used
NAD040-040	3036	Party name	C	an	1/35	Not used
NAD040-050	3036	Party name	C	an	1/35	Not used
NAD040-060	3045	Party name format code	C	an	1/3	Not used
NAD050	C059	Street	C	Comp		Optional
NAD050-010	3042	Street and number or post office box identifier	M	an	1/35	Required
NAD050-020	3042	Street and number or post office box identifier	C	an	1/35	Optional
NAD050-030	3042	Street and number or post office box identifier	C	an	1/35	Not used
NAD050-040	3042	Street and number or post office box identifier	C	an	1/35	Not used
NAD060	3164	City name	C	an	1/35	Optional
NAD070	C819	Country subdivision details	C	Comp		Optional

NAD070-010	3229	Country subdivision identifier	C	an	1/9	Required
NAD070-020	1131	Code list identification code	C	an	1/17	Not used
NAD070-030	3055	Code list responsible agency code	C	an	1/3	Not used
NAD070-040	3228	Country subdivision name	C	an	1/70	Not used
NAD080	3251	Postal identification code	C	an	1/17	Optional
NAD090	3207	Country identifier	C	a	2/2	Optional

Example:

NAD+SE+468900::92'

Segment Group 3

Pos: 0450	Repeat: 1
Conditional	
Group: 3	Elements: N/A

Loop Path: Group 2

User Option (Usage): Optional

Function: DUNS Number

A group of segments giving references relevant only to the specified party rather than the whole message.

Segment Group Summary:

<u>Pos</u>	<u>Tag</u>	<u>Segment Name</u>	<u>Status</u>	<u>Rep</u>	<u>Usage</u>
0460	RFF	DUNS Number	M	1	Required

RFF DUNS Number

Pos: 0460	Max: 1
Mandatory	
Group: 3	Elements: 1

Loop Path: Group 2-Group 3
 User Option (Usage): Required
 Function: To specify a reference.

Element Summary:

<u>Ref</u>	<u>Tag</u>	<u>Element Name</u>	<u>Status</u>	<u>Type</u>	<u>Min/Max</u>	<u>Usage</u>
RFF010	C506	Reference	M	Comp		Required
RFF010-010	1153	Reference code qualifier	M	an	1/3	Required
		<u>Code</u> <u>Name</u>				
		ANK Reference number assigned by third party				
RFF010-020	1154	Reference identifier	C	an	1/70	Required

Segment Group 3

Pos: 0470	Repeat: 1
Conditional	
Group: 3	Elements: N/A

Loop Path: Group 2

User Option (Usage): Optional

Function: VAT Number

A group of segments giving references relevant only to the specified party rather than the whole message.

Segment Group Summary:

<u>Pos</u>	<u>Tag</u>	<u>Segment Name</u>	<u>Status</u>	<u>Rep</u>	<u>Usage</u>
0480	RFF	VAT Number	M	1	Required

RFF VAT Number

Pos: 0480	Max: 1
Mandatory	
Group: 3	Elements: 1

Loop Path: Group 2-Group 3
User Option (Usage): Required
Function: To specify a reference.

Element Summary:

<u>Ref</u>	<u>Tag</u>	<u>Element Name</u>	<u>Status</u>	<u>Type</u>	<u>Min/Max</u>	<u>Usage</u>
RFF010	C506	Reference	M	Comp		Required
RFF010-010	1153	Reference code qualifier	M	an	1/3	Required
		<u>Code</u> <u>Name</u>				
		VA VAT registration number				
RFF010-020	1154	Reference identifier	C	an	1/17	Required

Example:

RFF+VA:NL 33224422'

Segment Group 2

Pos: 0490	Repeat: 1
Conditional	
Group: 2	Elements: N/A

User Option (Usage): Optional

Function: Freight forwarder

A group of segments identifying names, addresses, locations, and required supporting documents relevant to the whole Despatch Advice.

Segment Group Summary:

<u>Pos</u>	<u>Tag</u>	<u>Segment Name</u>	<u>Status</u>	<u>Rep</u>	<u>Usage</u>
0500	NAD	Freight forwarder	M	1	Required
0510		Segment Group 3	C	1	Optional

NAD Freight forwarder

Pos: 0500	Max: 1
Mandatory	
Group: 2	Elements: 9

Loop Path: Group 2

User Option (Usage): Required

Function: To specify the name/address and their related function.

Element Summary:

<u>Ref</u>	<u>Tag</u>	<u>Element Name</u>	<u>Status</u>	<u>Type</u>	<u>Min/Max</u>	<u>Usage</u>
NAD010	3035	Party function code qualifier	M	an	1/3	Required
		<u>Code</u> <u>Name</u>				
		FW Freight forwarder				
NAD020	C082	Party identification details	C	Comp		Required
NAD020-010	3039	Party identifier	M	an	1/35	Required
NAD020-020	1131	Code list identification code	C	an	1/17	Not used
NAD020-030	3055	Code list responsible agency code	C	an	1/3	Required
		<u>Code</u> <u>Name</u>				
		91 Assigned by seller or seller's agent				
		92 Assigned by buyer or buyer's agent				
NAD030	C058	Name and address	C	Comp		Not used
NAD030-010	3124	Name and address description	M	an	1/35	Not used
NAD030-020	3124	Name and address description	C	an	1/35	Not used
NAD030-030	3124	Name and address description	C	an	1/35	Not used
NAD030-040	3124	Name and address description	C	an	1/35	Not used
NAD030-050	3124	Name and address description	C	an	1/35	Not used
NAD040	C080	Party name	C	Comp		Optional
NAD040-010	3036	Party name	M	an	1/35	Required
NAD040-020	3036	Party name	C	an	1/35	Optional
NAD040-030	3036	Party name	C	an	1/35	Not used
NAD040-040	3036	Party name	C	an	1/35	Not used
NAD040-050	3036	Party name	C	an	1/35	Not used
NAD040-060	3045	Party name format code	C	an	1/3	Not used
NAD050	C059	Street	C	Comp		Optional
NAD050-010	3042	Street and number or post office box identifier	M	an	1/35	Required
NAD050-020	3042	Street and number or post office box identifier	C	an	1/35	Optional
NAD050-030	3042	Street and number or post office box identifier	C	an	1/35	Not used
NAD050-040	3042	Street and number or post office box identifier	C	an	1/35	Not used
NAD060	3164	City name	C	an	1/35	Optional
NAD070	C819	Country subdivision details	C	Comp		Optional

NAD070-010	3229	Country subdivision identifier	C	an	1/9	Required
NAD070-020	1131	Code list identification code	C	an	1/17	Not used
NAD070-030	3055	Code list responsible agency code	C	an	1/3	Not used
NAD070-040	3228	Country subdivision name	C	an	1/70	Not used
NAD080	3251	Postal identification code	C	an	1/17	Optional
NAD090	3207	Country identifier	C	a	2/2	Optional

Example:

NAD+FW+16301610::91'

Segment Group 3

Pos: 0510	Repeat: 1
Conditional	
Group: 3	Elements: N/A

Loop Path: Group 2
User Option (Usage): Optional
Function: DUNS Number

A group of segments giving references relevant only to the specified party rather than the whole message.

Segment Group Summary:

<u>Pos</u>	<u>Tag</u>	<u>Segment Name</u>	<u>Status</u>	<u>Rep</u>	<u>Usage</u>
0520	RFF	DUNS Number	M	1	Required

RFF DUNS Number

Pos: 0520	Max: 1
Mandatory	
Group: 3	Elements: 1

Loop Path: Group 2-Group 3
 User Option (Usage): Required
 Function: To specify a reference.

Element Summary:

<u>Ref</u>	<u>Tag</u>	<u>Element Name</u>	<u>Status</u>	<u>Type</u>	<u>Min/Max</u>	<u>Usage</u>
RFF010	C506	Reference	M	Comp		Required
RFF010-010	1153	Reference code qualifier	M	an	1/3	Required
		<u>Code</u> <u>Name</u>				
		ANK Reference number assigned by third party				
RFF010-020	1154	Reference identifier	C	an	1/70	Required

Segment Group 2

Pos: 0530	Repeat: 1
Conditional	
Group: 2	Elements: N/A

User Option (Usage): Optional

Function: Carrier

A group of segments identifying names, addresses, locations, and required supporting documents relevant to the whole Despatch Advice.

Segment Group Summary:

<u>Pos</u>	<u>Tag</u>	<u>Segment Name</u>	<u>Status</u>	<u>Rep</u>	<u>Usage</u>
0540	NAD	Carrier	M	1	Required
0550		Segment Group 3	C	1	Optional

NAD Carrier

Pos: 0540	Max: 1
Group: 2	Elements: 9
Mandatory	

Loop Path: Group 2

User Option (Usage): Required

Function: To specify the name/address and their related function.

Element Summary:

<u>Ref</u>	<u>Tag</u>	<u>Element Name</u>	<u>Status</u>	<u>Type</u>	<u>Min/Max</u>	<u>Usage</u>
NAD010	3035	Party function code qualifier	M	an	1/3	Required
		<u>Code</u> <u>Name</u>				
		CA Carrier				
NAD020	C082	Party identification details	C	Comp		Required
NAD020-010	3039	Party identifier	M	an	1/35	Required
NAD020-020	1131	Code list identification code	C	an	1/17	Not used
NAD020-030	3055	Code list responsible agency code	C	an	1/3	Required
		<u>Code</u> <u>Name</u>				
		91 Assigned by seller or seller's agent				
		92 Assigned by buyer or buyer's agent				
NAD030	C058	Name and address	C	Comp		Not used
NAD030-010	3124	Name and address description	M	an	1/35	Not used
NAD030-020	3124	Name and address description	C	an	1/35	Not used
NAD030-030	3124	Name and address description	C	an	1/35	Not used
NAD030-040	3124	Name and address description	C	an	1/35	Not used
NAD030-050	3124	Name and address description	C	an	1/35	Not used
NAD040	C080	Party name	C	Comp		Optional
NAD040-010	3036	Party name	M	an	1/35	Required
NAD040-020	3036	Party name	C	an	1/35	Optional
NAD040-030	3036	Party name	C	an	1/35	Not used
NAD040-040	3036	Party name	C	an	1/35	Not used
NAD040-050	3036	Party name	C	an	1/35	Not used
NAD040-060	3045	Party name format code	C	an	1/3	Not used
NAD050	C059	Street	C	Comp		Optional
NAD050-010	3042	Street and number or post office box identifier	M	an	1/35	Required
NAD050-020	3042	Street and number or post office box identifier	C	an	1/35	Optional
NAD050-030	3042	Street and number or post office box identifier	C	an	1/35	Not used
NAD050-040	3042	Street and number or post office box identifier	C	an	1/35	Not used
NAD060	3164	City name	C	an	1/35	Optional
NAD070	C819	Country subdivision details	C	Comp		Optional

NAD070-010	3229	Country subdivision identifier	C	an	1/9	Required
NAD070-020	1131	Code list identification code	C	an	1/17	Not used
NAD070-030	3055	Code list responsible agency code	C	an	1/3	Not used
NAD070-040	3228	Country subdivision name	C	an	1/70	Not used
NAD080	3251	Postal identification code	C	an	1/17	Optional
NAD090	3207	Country identifier	C	a	2/2	Optional

Example:

NAD+CA+16301610::91'

Segment Group 3

Pos: 0550	Repeat: 1
Conditional	
Group: 3	Elements: N/A

Loop Path: Group 2
User Option (Usage): Optional
Function: DUNS Number

A group of segments giving references relevant only to the specified party rather than the whole message.

Segment Group Summary:

<u>Pos</u>	<u>Tag</u>	<u>Segment Name</u>	<u>Status</u>	<u>Rep</u>	<u>Usage</u>
0560	RFF	DUNS Number	M	1	Required

RFF DUNS Number

Pos: 0560	Max: 1
Mandatory	
Group: 3	Elements: 1

Loop Path: Group 2-Group 3
 User Option (Usage): Required
 Function: To specify a reference.

Element Summary:

<u>Ref</u>	<u>Tag</u>	<u>Element Name</u>	<u>Status</u>	<u>Type</u>	<u>Min/Max</u>	<u>Usage</u>
RFF010	C506	Reference	M	Comp		Required
RFF010-010	1153	Reference code qualifier	M	an	1/3	Required
		<u>Code</u> <u>Name</u>				
		ANK Reference number assigned by third party				
RFF010-020	1154	Reference identifier	C	an	1/70	Required

Segment Group 2

Pos: 0570	Repeat: 1
Conditional	
Group: 2	Elements: N/A

User Option (Usage): Optional

Function: Ultimate consumer

A group of segments identifying names, addresses, locations, and required supporting documents relevant to the whole Despatch Advice.

Segment Group Summary:

<u>Pos</u>	<u>Tag</u>	<u>Segment Name</u>	<u>Status</u>	<u>Rep</u>	<u>Usage</u>
0580	NAD	Ultimate consumer	M	1	Required

NAD**Ultimate consumer**

Pos: 0580	Max: 1
Group: 2	Elements: 9
Mandatory	

Loop Path: Group 2**User Option (Usage):** Required**Function:** To specify the name/address and their related function.**Element Summary:**

<u>Ref</u>	<u>Tag</u>	<u>Element Name</u>	<u>Status</u>	<u>Type</u>	<u>Min/Max</u>	<u>Usage</u>
NAD010	3035	Party function code qualifier	M	an	1/3	Required
		<u>Code</u> <u>Name</u>				
		UD Ultimate customer				
NAD020	C082	Party identification details	C	Comp		Required
NAD020-010	3039	Party identifier	M	an	1/35	Required
NAD020-020	1131	Code list identification code	C	an	1/17	Not used
NAD020-030	3055	Code list responsible agency code	C	an	1/3	Required
		<u>Code</u> <u>Name</u>				
		91 Assigned by seller or seller's agent				
		92 Assigned by buyer or buyer's agent				
NAD030	C058	Name and address	C	Comp		Not used
NAD030-010	3124	Name and address description	M	an	1/35	Not used
NAD030-020	3124	Name and address description	C	an	1/35	Not used
NAD030-030	3124	Name and address description	C	an	1/35	Not used
NAD030-040	3124	Name and address description	C	an	1/35	Not used
NAD030-050	3124	Name and address description	C	an	1/35	Not used
NAD040	C080	Party name	C	Comp		Optional
NAD040-010	3036	Party name	M	an	1/35	Required
NAD040-020	3036	Party name	C	an	1/35	Optional
NAD040-030	3036	Party name	C	an	1/35	Not used
NAD040-040	3036	Party name	C	an	1/35	Not used
NAD040-050	3036	Party name	C	an	1/35	Not used
NAD040-060	3045	Party name format code	C	an	1/3	Not used
NAD050	C059	Street	C	Comp		Optional
NAD050-010	3042	Street and number or post office box identifier	M	an	1/35	Required
NAD050-020	3042	Street and number or post office box identifier	C	an	1/35	Optional
NAD050-030	3042	Street and number or post office box identifier	C	an	1/35	Not used
NAD050-040	3042	Street and number or post office box identifier	C	an	1/35	Not used
NAD060	3164	City name	C	an	1/35	Optional
NAD070	C819	Country subdivision details	C	Comp		Optional

NAD070-010	3229	Country subdivision identifier	C	an	1/9	Required
NAD070-020	1131	Code list identification code	C	an	1/17	Not used
NAD070-030	3055	Code list responsible agency code	C	an	1/3	Not used
NAD070-040	3228	Country subdivision name	C	an	1/70	Not used
NAD080	3251	Postal identification code	C	an	1/17	Optional
NAD090	3207	Country identifier	C	a	2/2	Optional

Example:*NAD+UD+16301610::91'*

Segment Group 5

Pos: 0590	Repeat: 10
Conditional	
Group: 5	Elements: N/A

User Option (Usage): Optional

Function: Terms of delivery

Segment Group Summary:

<u>Pos</u>	<u>Tag</u>	<u>Segment Name</u>	<u>Status</u>	<u>Rep</u>	<u>Usage</u>
0600	TOD	Terms of delivery or transport	M	1	Required
0610	LOC	Incoterms place	C	1	Optional
0620	FTX	Terms of delivery - descriptive text	C	5	Optional
0630	FTX	Preference information	C	1	Optional

TOD Terms of delivery or transport

Pos: 0600	Max: 1
Mandatory	
Group: 5	Elements: 3

Loop Path: Group 5

User Option (Usage): Required

Function: To specify terms of delivery or transport.

Element Summary:

<u>Ref</u>	<u>Tag</u>	<u>Element Name</u>	<u>Status</u>	<u>Type</u>	<u>Min/Max</u>	<u>Usage</u>
TOD010	4055	Delivery or transport terms function code	C	an	1/3	Conditional
		<u>Code</u> <u>Name</u>				
		6 Delivery condition				
TOD020	4215	Transport charges payment method code	C	an	1/3	Not used
TOD030	C100	Terms of delivery or transport	C	Comp		Optional
TOD030-010	4053	Delivery or transport terms description code	C	an	1/3	Required
		<u>Code</u> <u>Name</u>				
		CFR Cost and Freight				
		CIF Cost, Insurance, Freight (... named port of destination)				
		CIP Carriage and Insurance Paid to (... named place of destination)				
		CPT Carriage Paid To (... named place of destination)				
		DAF Delivered At frontier (... named place)				
		DAP Delivered At Place				
		DAT Delivered At Terminal (... named place)				
		DDP Delivered Duty Paid (... named place of destination)				
		DDU Delivered Duty Unpaid (... named place of destination)				
		DEQ Delivered Ex Quay (Duty paid) (... named port of destination)				
		DES Delivered Ex Ship (... named port of destination)				
		EXW Ex Works (... named place)				
		FAS Free Along Ship (... named port of shipment)				
		FCA Free Carrier (... named place)				
		FOA FOB Airport - Named airport of departure				
		FOB Free On Board (... named port of shipment)				

Example:

TOD+6++EXW:::01'

LOC Incoterms place

Pos: 0610	Max: 1
Conditional	
Group: 5	Elements: 2

Loop Path: Group 5

User Option (Usage): Optional

Function: To identify a place or a location and/or related locations.

Element Summary:

<u>Ref</u>	<u>Tag</u>	<u>Element Name</u>	<u>Status</u>	<u>Type</u>	<u>Min/Max</u>	<u>Usage</u>
LOC010	3227	Location function code qualifier	M	an	1/3	Required
		<u>Code</u> <u>Name</u>				
		1 Place of terms of delivery				
LOC020	C517	Location identification	C	Comp		Required
LOC020-010	3225	Location identifier	C	an	1/35	Optional
LOC020-020	1131	Code list identification code	C	an	1/17	Not used
LOC020-030	3055	Code list responsible agency code	C	an	1/3	Optional
		<u>Code</u> <u>Name</u>				
		6 UN/ECE (United Nations - Economic Commission for Europe)				
		92 Assigned by buyer or buyer's agent				
LOC020-040	3224	Location name	C	an	1/256	Optional

Example:

LOC+1+:::Hamburg'

FTX**Terms of delivery - descriptive text**

Pos: 0620	Max: 5
Conditional	
Group: 5	Elements: 5

Loop Path: Group 5**User Option (Usage):** Optional**Function:** To provide free form or coded text information.**Element Summary:**

<u>Ref</u>	<u>Tag</u>	<u>Element Name</u>	<u>Status</u>	<u>Type</u>	<u>Min/Max</u>	<u>Usage</u>
FTX010	4451	Text subject code qualifier	M	an	1/3	Required
		Code Name				
		AAR Terms of delivery				
FTX020	4453	Free text function code	C	an	1/3	Not used
FTX030	C107	Text reference	C	Comp		Not used
FTX030-010	4441	Free text description code	M	an	1/17	Not used
FTX030-020	1131	Code list identification code	C	an	1/17	Not used
FTX030-030	3055	Code list responsible agency code	C	an	1/3	Not used
FTX040	C108	Text literal	C	Comp		Required
FTX040-010	4440	Free text	M	an	1/256	Required
FTX040-020	4440	Free text	C	an	1/256	Optional
FTX040-030	4440	Free text	C	an	1/256	Optional
FTX040-040	4440	Free text	C	an	1/256	Optional
FTX040-050	4440	Free text	C	an	1/256	Optional
FTX050	3453	Language name code	C	an	1/3	Optional

FTX Preference information

Pos: 0630	Max: 1
Conditional	
Group: 5	Elements: 5

Loop Path: Group 5

User Option (Usage): Optional

Function: To provide free form or coded text information.

Element Summary:

<u>Ref</u>	<u>Tag</u>	<u>Element Name</u>	<u>Status</u>	<u>Type</u>	<u>Min/Max</u>	<u>Usage</u>
FTX010	4451	Text subject code qualifier	M	an	1/3	Required
		<u>Code</u> <u>Name</u>				
		CUS Customs declaration information				
FTX020	4453	Free text function code	C	an	1/3	Not used
FTX030	C107	Text reference	C	Comp		Optional
FTX030-010	4441	Free text description code	M	an	1/17	Not used
FTX030-020	1131	Code list identification code	C	an	1/17	Not used
FTX030-030	3055	Code list responsible agency code	C	an	1/3	Not used
FTX040	C108	Text literal	C	Comp		Required
FTX040-010	4440	Free text	M	an	1/256	Required
FTX040-020	4440	Free text	C	an	1/256	Optional
FTX040-030	4440	Free text	C	an	1/256	Optional
FTX040-040	4440	Free text	C	an	1/256	Optional
FTX040-050	4440	Free text	C	an	1/256	Optional
FTX050	3453	Language name code	C	an	1/3	Optional

Segment Group 6

Pos: 0640	Repeat: 10
Conditional	
Group: 6	Elements: N/A

User Option (Usage): Optional

Function: Means of transport

Segment Group Summary:

<u>Pos</u>	<u>Tag</u>	<u>Segment Name</u>	<u>Status</u>	<u>Rep</u>	<u>Usage</u>
0650	TDT	Means of transport	M	1	Required

TDT**Means of transport**

Pos: 0650	Max: 1
Group: 6	Elements: 8
Mandatory	

Loop Path: Group 6

User Option (Usage): Required

Function: To specify information regarding the transport such as mode of transport, means of transport, its conveyance reference number and the identification of the means of transport.

Element Summary:

<u>Ref</u>	<u>Tag</u>	<u>Element Name</u>	<u>Status</u>	<u>Type</u>	<u>Min/Max</u>	<u>Usage</u>
TDT010	8051	Transport stage code qualifier	M	an	1/3	Required
		<u>Code</u> <u>Name</u>				
		12 At departure				
TDT020	8028	Means of transport journey identifier	C	an	1/17	Optional
TDT030	C220	Mode of transport	C	Comp		Optional
TDT030-010	8067	Transport mode name code	C	an	1/3	Optional
		<u>Code</u> <u>Name</u>				
		10 Maritime transport				
		20 Rail transport				
		30 Road transport				
		40 Air transport				
		50 Mail				
		60 Multimodal transport				
		70 Fixed transport installations				
		80 Inland water transport				
TDT030-020	8066	Transport mode name	C	an	1/17	Not used
TDT040	C001	Transport means	C	Comp		Not used
TDT040-010	8179	Transport means description code	C	an	1/8	Required
TDT040-020	1131	Code list identification code	C	an	1/17	Not used
TDT040-030	3055	Code list responsible agency code	C	an	1/3	Not used
TDT040-040	8178	Transport means description	C	an	1/17	Not used
TDT050	C040	Carrier	C	Comp		Not used
TDT050-010	3127	Carrier identifier	C	an	1/17	Not used
TDT050-020	1131	Code list identification code	C	an	1/17	Not used
TDT050-030	3055	Code list responsible agency code	C	an	1/3	Not used
TDT050-040	3126	Carrier name	C	an	1/35	Not used
TDT060	8101	Transit direction indicator code	C	an	1/3	Not used
TDT070	C401	Excess transportation information	C	Comp		Optional
TDT070-010	8457	Excess transportation reason code	M	an	1/3	Required
		<u>Code</u> <u>Name</u>				
		ZZZ Mutually defined				
TDT070-020	8459	Excess transportation responsibility code	M	an	1/3	Required
		<u>Code</u> <u>Name</u>				
		X Responsibility to be determined				

TDT070-030	7130	Customer shipment authorisation identifier	C	an	1/17	Required
TDT080	C222	Transport identification	C	Comp		Optional
TDT080-010	8213	Transport means identification name identifier	C	an	1/35	Optional
TDT080-020	1131	Code list identification code	C	an	1/17	Not used
TDT080-030	3055	Code list responsible agency code	C	an	1/3	Optional
TDT080-040	8212	Transport means identification name	C	an	1/70	Not used
TDT080-050	8453	Transport means nationality code	C	a	2/2	Optional

Example:

TDT+12+123456ABC+30++++X'

Segment Group 8

Pos: 0660	Repeat: 10
Conditional	
Group: 8	Elements: N/A

User Option (Usage): Optional

Function: Equipment details

Segment Group Summary:

<u>Pos</u>	<u>Tag</u>	<u>Segment Name</u>	<u>Status</u>	<u>Rep</u>	<u>Usage</u>
0670	EQD	Equipment details	M	1	Required
0680	SEL	Seal number	C	25	Optional

EQD**Equipment details**

Pos: 0670	Max: 1
Mandatory	
Group: 8	Elements: 2

Loop Path: Group 8

User Option (Usage): Required

Function: To identify a unit of equipment.

Element Summary:

<u>Ref</u>	<u>Tag</u>	<u>Element Name</u>	<u>Status</u>	<u>Type</u>	<u>Min/Max</u>	<u>Usage</u>
EQD010	8053	Equipment type code qualifier	M	an	1/3	Required
		<u>Code</u> <u>Name</u>				
		CN Container				
		RR Rail car				
		SW Swap body				
		TE Trailer				
EQD020	C237	Equipment identification	C	Comp		Optional
EQD020-010	8260	Equipment identifier	C	an	1/17	Optional

Example:

EQD+CN+ContainerId'

SEL**Seal number**

Pos: 0680	Max: 25
Conditional	
Group: 8	Elements: 1

Loop Path: Group 8**User Option (Usage):** Optional**Function:** To specify the seal number or a range of seal numbers.**Element Summary:**

<u>Ref</u>	<u>Tag</u>	<u>Element Name</u>	<u>Status</u>	<u>Type</u>	<u>Min/Max</u>	<u>Usage</u>
SEL010	9308	Transport unit seal identifier	C	an	1/35	Required

Segment Group 10

Pos: 0690	Repeat: 9999
Conditional	
Group: 10	Elements: N/A

User Option (Usage): Required

Function: Despatch control line / List of handling unit groups

Segment Group Summary:

<u>Pos</u>	<u>Tag</u>	<u>Segment Name</u>	<u>Status</u>	<u>Rep</u>	<u>Usage</u>
0700	CPS	Consignment packing sequence	M	1	Required
0710		Segment Group 11	C	9999	Optional
0920		Segment Group 11	C	9999	Optional

CPS

Consignment packing sequence

Pos: 0700	Max: 1
Mandatory	
Group: 10	Elements: 3

Loop Path: Group 10

User Option (Usage): Required

Function: To identify the sequence in which physical packing is presented in the consignment, and optionally to identify the hierarchical relationship between packing layers.

Element Summary:

<u>Ref</u>	<u>Tag</u>	<u>Element Name</u>	<u>Status</u>	<u>Type</u>	<u>Min/Max</u>	<u>Usage</u>
CPS010	7164	Hierarchical structure level identifier	M	n	1/6	Required
CPS020	7166	Hierarchical structure parent identifier	C	an	1/35	Not used
CPS030	7075	Packaging level code	C	an	1/3	Required
		<u>Code</u>		<u>Name</u>		
		2		Intermediate		
		3		Outer		

Example:

CPS+1++3'

Segment Group 11

Pos: 0710	Repeat: 9999
Conditional	
Group: 11	Elements: N/A

Loop Path: Group 10

User Option (Usage): Optional

Function: Handling unit group details

Segment Group Summary:

<u>Pos</u>	<u>Tag</u>	<u>Segment Name</u>	<u>Status</u>	<u>Rep</u>	<u>Usage</u>
0720	PAC	Package	M	1	Required
0730	MEA	Length	C	1	Optional
0740	MEA	Width	C	1	Optional
0750	MEA	Height	C	1	Optional
0760	MEA	Maximum stacking weight	C	1	Optional
0770	MEA	Package volume	C	1	Optional
0780	QTY	Maximum stackability	C	1	Optional
0790	QTY	Actual quantity per package	C	1	Dependent
0800		Segment Group 13	C	1000	Optional

PAC Package

Pos: 0720	Max: 1
Mandatory	
Group: 11	Elements: 4

Loop Path: Group 10-Group 11

User Option (Usage): Required

Function: To describe the number and type of packages/physical units.

Element Summary:

<u>Ref</u>	<u>Tag</u>	<u>Element Name</u>	<u>Status</u>	<u>Type</u>	<u>Min/Max</u>	<u>Usage</u>
PAC010	7224	Package quantity	C	n	1/6	Required
PAC020	C531	Packaging details	C	Comp		Required
PAC020-010	7075	Packaging level code	C	an	1/3	Not used
PAC020-020	7233	Packaging related description code	C	an	1/3	Required
		<u>Code</u> <u>Name</u>				
		35 Type of package				
PAC020-030	7073	Packaging terms and conditions code	C	an	1/3	Optional
		<u>Code</u> <u>Name</u>				
		AAA One way packaging, supplier pays				
		AAB One way packaging, customer pays				
		AAC Customer's returnable package item				
		AAD returnable packaging owned by supplier				
		AAE returnable packaging owned by service provider				
PAC030	C202	Package type	C	Comp		Required
PAC030-010	7065	Package type description code	C	an	1/17	Required
PAC030-020	1131	Code list identification code	C	an	1/17	Not used
PAC030-030	3055	Code list responsible agency code	C	an	1/3	Optional
		<u>Code</u> <u>Name</u>				
		92 Assigned by buyer or buyer's agent				
PAC030-040	7064	Type of packages	C	an	1/35	Not used
PAC040	C402	Package type identification	C	Comp		Optional
PAC040-010	7077	Description format code	M	an	1/3	Required
		<u>Code</u> <u>Name</u>				
		X Semi-structured (code + text)				
PAC040-020	7064	Type of packages	M	an	1/35	Required
PAC040-030	7143	Item type identification code	C	an	1/3	Optional
		<u>Code</u> <u>Name</u>				
		SA Supplier's article number				
PAC040-040	7064	Type of packages	C	an	1/35	Optional

Example:

PAC+1+:35:AAA+KLT6428::92'

MEA Length

Pos: 0730	Max: 1
Conditional	
Group: 11	Elements: 3

Loop Path: Group 10-Group 11

User Option (Usage): Optional

Function: To specify physical measurements, including dimension tolerances, weights and counts.

Element Summary:

<u>Ref</u>	<u>Tag</u>	<u>Element Name</u>	<u>Status</u>	<u>Type</u>	<u>Min/Max</u>	<u>Usage</u>
MEA010	6311	Measurement purpose code qualifier	M	an	1/3	Required
		<u>Code</u> <u>Name</u>				
		AAZ Handling unit measurement				
MEA020	C502	Measurement details	C	Comp		Required
MEA020-010	6313	Measured attribute code	C	an	1/3	Conditional
		<u>Code</u> <u>Name</u>				
		LN Length				
MEA020-020	6321	Measurement significance code	C	an	1/3	Not used
MEA020-030	6155	Non-discrete measurement name code	C	an	1/17	Not used
MEA020-040	6154	Non-discrete measurement name	C	an	1/70	Not used
MEA030	C174	Value/Range	C	Comp		Required
MEA030-010	6411	Measurement unit code	M	an	1/8	Required
		<u>Code</u> <u>Name</u>				
		MMT millimetre				
MEA030-020	6314	Measure	C	n	1/5	Required
		Description: <i>Length</i>				

Example:

MEA+AAZ+LN+MMT:9'

MEA Width

Pos: 0740	Max: 1
Conditional	
Group: 11	Elements: 3

Loop Path: Group 10-Group 11

User Option (Usage): Optional

Function: To specify physical measurements, including dimension tolerances, weights and counts.

Element Summary:

<u>Ref</u>	<u>Tag</u>	<u>Element Name</u>	<u>Status</u>	<u>Type</u>	<u>Min/Max</u>	<u>Usage</u>
MEA010	6311	Measurement purpose code qualifier	M	an	1/3	Required
		<u>Code</u> <u>Name</u>				
		AAZ Handling unit measurement				
MEA020	C502	Measurement details	C	Comp		Required
MEA020-010	6313	Measured attribute code	C	an	1/3	Required
		<u>Code</u> <u>Name</u>				
		WD Width dimension				
MEA020-020	6321	Measurement significance code	C	an	1/3	Not used
MEA020-030	6155	Non-discrete measurement name code	C	an	1/17	Not used
MEA020-040	6154	Non-discrete measurement name	C	an	1/70	Not used
MEA030	C174	Value/Range	C	Comp		Required
MEA030-010	6411	Measurement unit code	M	an	1/8	Required
		<u>Code</u> <u>Name</u>				
		MMT millimetre				
MEA030-020	6314	Measure	C	an	1/12	Required
		Description: <i>Width</i>				

Example:

MEA+AAZ+WD+MMT:9'

MEA Height

Pos: 0750	Max: 1
Conditional	
Group: 11	Elements: 3

Loop Path: Group 10-Group 11

User Option (Usage): Optional

Function: To specify physical measurements, including dimension tolerances, weights and counts.

Element Summary:

<u>Ref</u>	<u>Tag</u>	<u>Element Name</u>	<u>Status</u>	<u>Type</u>	<u>Min/Max</u>	<u>Usage</u>
MEA010	6311	Measurement purpose code qualifier	M	an	1/3	Required
		<u>Code</u> <u>Name</u>				
		AAZ Handling unit measurement				
MEA020	C502	Measurement details	C	Comp		Required
MEA020-010	6313	Measured attribute code	C	an	1/3	Required
		<u>Code</u> <u>Name</u>				
		HT Height dimension				
MEA020-020	6321	Measurement significance code	C	an	1/3	Not used
MEA020-030	6155	Non-discrete measurement name code	C	an	1/17	Not used
MEA020-040	6154	Non-discrete measurement name	C	an	1/70	Not used
MEA030	C174	Value/Range	C	Comp		Required
MEA030-010	6411	Measurement unit code	M	an	1/8	Required
		<u>Code</u> <u>Name</u>				
		MMT millimetre				
MEA030-020	6314	Measure	C	an	1/5	Required
		Description: Height				

Example:

MEA+AAZ+HT+MMT:9'

MEA **Maximum stacking weight**

Pos: 0760	Max: 1
Conditional	
Group: 11	Elements: 3

Loop Path: Group 10-Group 11

User Option (Usage): Optional

Function: To specify physical measurements, including dimension tolerances, weights and counts.

Element Summary:

<u>Ref</u>	<u>Tag</u>	<u>Element Name</u>	<u>Status</u>	<u>Type</u>	<u>Min/Max</u>	<u>Usage</u>
MEA010	6311	Measurement purpose code qualifier	M	an	1/3	Required
		<u>Code</u> <u>Name</u>				
		ABR Certified weight				
MEA020	C502	Measurement details	C	Comp		Required
MEA020-010	6313	Measured attribute code	C	an	1/3	Required
		<u>Code</u> <u>Name</u>				
		AFE Maximum stacking weight				
MEA020-020	6321	Measurement significance code	C	an	1/3	Not used
MEA020-030	6155	Non-discrete measurement name code	C	an	1/17	Not used
MEA020-040	6154	Non-discrete measurement name	C	an	1/70	Not used
MEA030	C174	Value/Range	C	Comp		Required
MEA030-010	6411	Measurement unit code	M	an	1/8	Required
		<u>Code</u> <u>Name</u>				
		KGM kilogram				
MEA030-020	6314	Measure	C	n	1/12	Required
		Description: <i>Max. load bearing capacity</i>				

Example:

MEA+ABR+AFE+KGM:2000'

MEA Package volume

Pos: 0770	Max: 1
Conditional	
Group: 11	Elements: 3

Loop Path: Group 10-Group 11

User Option (Usage): Optional

Function: To specify physical measurements, including dimension tolerances, weights and counts.

Element Summary:

<u>Ref</u>	<u>Tag</u>	<u>Element Name</u>	<u>Status</u>	<u>Type</u>	<u>Min/Max</u>	<u>Usage</u>
MEA010	6311	Measurement purpose code qualifier	M	an	1/3	Required
		<u>Code</u> <u>Name</u>				
		AAZ Handling unit measurement				
MEA020	C502	Measurement details	C	Comp		Required
MEA020-010	6313	Measured attribute code	C	an	1/3	Conditional
		<u>Code</u> <u>Name</u>				
		ABJ Volume				
MEA020-020	6321	Measurement significance code	C	an	1/3	Not used
MEA020-030	6155	Non-discrete measurement name code	C	an	1/17	Not used
MEA020-040	6154	Non-discrete measurement name	C	an	1/70	Not used
MEA030	C174	Value/Range	C	Comp		Conditional
MEA030-010	6411	Measurement unit code	M	an	1/8	Required
		<u>Code</u> <u>Name</u>				
		DMQ cubic decimetre				
		MTQ cubic metre				
MEA030-020	6314	Measure	C	an	1/18	Conditional
		Description: <i>Volume</i>				

Example:

MEA+AAZ+ABJ+DMQ:9'

QTY Maximum stackability

Pos: 0780	Max: 1
Conditional	
Group: 11	Elements: 1

Loop Path: Group 10-Group 11

User Option (Usage): Optional

Function: To specify a pertinent quantity.

Element Summary:

<u>Ref</u>	<u>Tag</u>	<u>Element Name</u>	<u>Status</u>	<u>Type</u>	<u>Min/Max</u>	<u>Usage</u>
QTY010	C186	Quantity details	M	Comp		Required
QTY010-010	6063	Quantity type code qualifier	M	an	1/3	Required
		<u>Code</u> <u>Name</u>				
		171 Maximum stackability				
QTY010-020	6060	Quantity	M	an	1/35	Required
QTY010-030	6411	Measurement unit code	C	an	1/8	Optional

Description:

referring to UN/ECE Rec. 20

CSA Usage:

- . C62 - one
- . PCE - piece
- . KGM - kilogram
- . LTR - litre
- . MTR - metre
- . MTQ - cubic metre

Example:

QTY+171:3:C62'

QTY Actual quantity per package

Pos: 0790	Max: 1
Conditional	
Group: 11	Elements: 1

Loop Path: Group 10-Group 11

User Option (Usage): Dependent

Function: To specify a pertinent quantity.

Element Summary:

<u>Ref</u>	<u>Tag</u>	<u>Element Name</u>	<u>Status</u>	<u>Type</u>	<u>Min/Max</u>	<u>Usage</u>
QTY010	C186	Quantity details	M	Comp		Required
QTY010-010	6063	Quantity type code qualifier	M	an	1/3	Required
		<u>Code</u> <u>Name</u>				
		189 Number of packages in handling unit				
QTY010-020	6060	Quantity	M	an	1/35	Required
QTY010-030	6411	Measurement unit code	C	an	1/8	Optional
		Description: <i>referring to UN/ECE Rec. 20</i>				
		CSA Usage:				
		. C62 - one				
		. PCE - piece				
		. KGM - kilogram				
		. LTR - litre				
		. MTR - metre				
		. MTQ - cubic metre				
		<u>Code</u> <u>Name</u>				
		C62 one				
		PCE piece				

Example:

QTY+189:5:PCE'

Segment Group 13

Pos: 0800	Repeat: 1000
Conditional	
Group: 13	Elements: N/A

Loop Path: Group 10-Group 11

User Option (Usage): Optional

Function: List of individual handling units

Segment Group Summary:

<u>Pos</u>	<u>Tag</u>	<u>Segment Name</u>	<u>Status</u>	<u>Rep</u>	<u>Usage</u>
0810	PCI	Package identification	M	1	Required
0820		Segment Group 15	C	99	Dependent
0840		Segment Group 15	C	99	Optional
0860		Segment Group 15	C	99	Optional
0880		Segment Group 16	C	99	Optional

PCI Package identification

Pos: 0810	Max: 1
Mandatory	
Group: 13	Elements: 4

Loop Path: Group 10-Group 11-Group 13

User Option (Usage): Required

Function: To specify markings and labels on individual packages or physical units.

Element Summary:

<u>Ref</u>	<u>Tag</u>	<u>Element Name</u>	<u>Status</u>	<u>Type</u>	<u>Min/Max</u>	<u>Usage</u>
PCI010	4233	Marking instructions code	C	an	1/3	Optional
		<u>Code</u> <u>Name</u>				
		17 Seller's instructions				
PCI020	C210	Marks & Labels	C	Comp		Optional
PCI020-010	7102	Shipping marks description	M	an	1/35	Required
PCI020-020	7102	Shipping marks description	C	an	1/35	Optional
PCI020-030	7102	Shipping marks description	C	an	1/35	Optional
PCI020-040	7102	Shipping marks description	C	an	1/35	Optional
PCI020-050	7102	Shipping marks description	C	an	1/35	Optional
PCI020-060	7102	Shipping marks description	C	an	1/35	Optional
PCI020-070	7102	Shipping marks description	C	an	1/35	Optional
PCI020-080	7102	Shipping marks description	C	an	1/35	Optional
PCI020-090	7102	Shipping marks description	C	an	1/35	Optional
PCI020-100	7102	Shipping marks description	C	an	1/35	Optional
PCI030	8169	Full or empty indicator code	C	an	1/3	Not used
PCI040	C827	Type of marking	C	Comp		Optional
PCI040-010	7511	Marking type code	M	an	1/3	Required
		<u>Code</u> <u>Name</u>				
		5J Unique license plate number assigned to a mixed load				
		6J Unique license plate number assigned to a master load				
PCI040-020	1131	Code list identification code	C	an	1/17	Not used
PCI040-030	3055	Code list responsible agency code	C	an	1/3	Required
		<u>Code</u> <u>Name</u>				
		5 ISO (International Organization for Standardization)				

Example:

PCI+17+++6J::5'

Segment Group 15

Pos: 0820	Repeat: 99
Conditional	
Group: 15	Elements: N/A

Loop Path: Group 10-Group 11-Group 13

User Option (Usage): Dependent

Function: Individual handling unit's transport label number

Segment Group Summary:

<u>Pos</u>	<u>Tag</u>	<u>Segment Name</u>	<u>Status</u>	<u>Rep</u>	<u>Usage</u>
0830	GIN	Individual handling unit's transport label number	M	1	Required

GIN

Individual handling unit's transport label number

Pos: 0830	Max: 1
Mandatory	
Group: 15	Elements: 2

Loop Path: Group 10-Group 11-Group 13-Group 15**User Option (Usage):** Required**Function:** To give specific identification numbers, either as single numbers or ranges.

Element Summary:

<u>Ref</u>	<u>Tag</u>	<u>Element Name</u>	<u>Status</u>	<u>Type</u>	<u>Min/Max</u>	<u>Usage</u>
GIN010	7405	Object identification code qualifier	M	an	1/3	Required
		<u>Code</u>				
		BU				Package buyer assigned identifier
		ML				Marking/label number
GIN020	C208	Identity number range	M	Comp		Required
GIN020-010	7402	Object identifier	M	an	1/35	Required
		Note:				
		The Serial Barcode must have a Prefix of				
		"M" for master when homogeneous and				
		"G" for mixed				
		with a size of 19.				
		The format must be				
		SSSSSSCCYY123456789				
		S=Supplier Id (6)				
		 If your supplier id is numeric,				
		zero fill				
		 If your supplier id is				
		alphabetic and >6, use the last 6				
		characters				
		CCYY=Century and Year (4)				
		123456789-Unique Serial Number (9				
		digits), zero fill				

Example:

GIN+ML+Transportlabel'

Segment Group 15

Pos: 0840	Repeat: 99
Conditional	
Group: 15	Elements: N/A

Loop Path: Group 10-Group 11-Group 13

User Option (Usage): Optional

Function: Individual packaging item's label numbers

Segment Group Summary:

<u>Pos</u>	<u>Tag</u>	<u>Segment Name</u>	<u>Status</u>	<u>Rep</u>	<u>Usage</u>
0850	GIN	Individual packaging item's label numbers	M	1	Required

GIN

Individual packaging item's label numbers

Pos: 0850	Max: 1
Mandatory	
Group: 15	Elements: 6

Loop Path: Group 10-Group 11-Group 13-Group 15**User Option (Usage):** Required**Function:** To give specific identification numbers, either as single numbers or ranges.

Element Summary:

<u>Ref</u>	<u>Tag</u>	<u>Element Name</u>	<u>Status</u>	<u>Type</u>	<u>Min/Max</u>	<u>Usage</u>
GIN010	7405	Object identification code qualifier	M	an	1/3	Required
		<u>Code</u> <u>Name</u>				
		AW Serial shipping container code				
GIN020	C208	Identity number range	M	Comp		Required
GIN020-010	7402	Object identifier	M	an	1/35	Required
GIN020-020	7402	Object identifier	C	an	1/35	Not used
GIN030	C208	Identity number range	C	Comp		Optional
GIN030-010	7402	Object identifier	M	an	1/35	Optional
		Description: see 7402#1				
GIN030-020	7402	Object identifier	C	an	1/35	Not used
GIN040	C208	Identity number range	C	Comp		Optional
GIN040-010	7402	Object identifier	M	an	1/35	Optional
		Description: see 7402#1				
GIN040-020	7402	Object identifier	C	an	1/35	Not used
GIN050	C208	Identity number range	C	Comp		Optional
GIN050-010	7402	Object identifier	M	an	1/35	Optional
		Description: see 7402#1				
GIN050-020	7402	Object identifier	C	an	1/35	Not used
GIN060	C208	Identity number range	C	Comp		Optional
GIN060-010	7402	Object identifier	M	an	1/35	Optional
		Description: see 7402#1				
GIN060-020	7402	Object identifier	C	an	1/35	Not used

Example:

GIN+AW+Packaging ID+Packaging ID'

Segment Group 15

Pos: 0860	Repeat: 99
Conditional	
Group: 15	Elements: N/A

Loop Path: Group 10-Group 11-Group 13

User Option (Usage): Optional

Function: Continuous rack number

Segment Group Summary:

<u>Pos</u>	<u>Tag</u>	<u>Segment Name</u>	<u>Status</u>	<u>Rep</u>	<u>Usage</u>
0870	GIN	Serial number	M	1	Required

GIN**Serial number**

Pos: 0870	Max: 1
Mandatory	
Group: 15	Elements: 6

Loop Path: Group 10-Group 11-Group 13-Group 15**User Option (Usage):** Required**Function:** To give specific identification numbers, either as single numbers or ranges.**Element Summary:**

<u>Ref</u>	<u>Tag</u>	<u>Element Name</u>	<u>Status</u>	<u>Type</u>	<u>Min/Max</u>	<u>Usage</u>
GIN010	7405	Object identification code qualifier	M	an	1/3	Required
		<u>Code</u> <u>Name</u>				
		BN Serial number				
GIN020	C208	Identity number range	M	Comp		Required
GIN020-010	7402	Object identifier	M	an	1/35	Required
GIN020-020	7402	Object identifier	C	an	1/35	Dependent
GIN030	C208	Identity number range	C	Comp		Optional
GIN030-010	7402	Object identifier	M	an	1/35	Required
GIN030-020	7402	Object identifier	C	an	1/35	Dependent
GIN040	C208	Identity number range	C	Comp		Conditional
GIN040-010	7402	Object identifier	M	an	1/35	Required
GIN040-020	7402	Object identifier	C	an	1/35	Dependent
GIN050	C208	Identity number range	C	Comp		Conditional
GIN050-010	7402	Object identifier	M	an	1/35	Required
GIN050-020	7402	Object identifier	C	an	1/35	Dependent
GIN060	C208	Identity number range	C	Comp		Dependent
GIN060-010	7402	Object identifier	M	an	1/35	Required
GIN060-020	7402	Object identifier	C	an	1/35	Dependent

Example:*GIN+BN+146276711'*

Segment Group 16

Pos: 0880	Repeat: 99
Conditional	
Group: 16	Elements: N/A

Loop Path: Group 10-Group 11-Group 13

User Option (Usage): Optional

Function: Individual handling unit's weights

Segment Group Summary:

<u>Pos</u>	<u>Tag</u>	<u>Segment Name</u>	<u>Status</u>	<u>Rep</u>	<u>Usage</u>
0890	COD	Component details	M	1	Required
0900	MEA	Gross weight	C	9	Optional
0910	MEA	Net weight	C	9	Optional

COD

Component details

Pos: 0890	Max: 1
Mandatory	
Group: 16	Elements: 1

Loop Path: Group 10-Group 11-Group 13-Group 16

User Option (Usage): Required

Function: To provide component details of an object (e.g. product, container) such as its type and the material of which it is composed. To be used as trigger segment.

Element Summary:

<u>Ref</u>	<u>Tag</u>	<u>Element Name</u>	<u>Status</u>	<u>Type</u>	<u>Min/Max</u>	<u>Usage</u>
COD010	C823	Type of unit/component	C	Comp		Required
COD010-010	7505	Unit or component type description code	C	an	1/3	Required

Example:

COD+NO'

MEA Gross weight

Pos: 0900	Max: 9
Conditional	
Group: 16	Elements: 3

Loop Path: Group 10-Group 11-Group 13-Group 16

User Option (Usage): Optional

Function: To specify physical measurements, including dimension tolerances, weights and counts.

Element Summary:

<u>Ref</u>	<u>Tag</u>	<u>Element Name</u>	<u>Status</u>	<u>Type</u>	<u>Min/Max</u>	<u>Usage</u>
MEA010	6311	Measurement purpose code qualifier	M	an	1/3	Required
		<u>Code</u> <u>Name</u>				
		AAZ Handling unit measurement				
MEA020	C502	Measurement details	C	Comp		Required
MEA020-010	6313	Measured attribute code	C	an	1/3	Required
		<u>Code</u> <u>Name</u>				
		AAB Goods item gross weight				
MEA020-020	6321	Measurement significance code	C	an	1/3	Not used
MEA020-030	6155	Non-discrete measurement name code	C	an	1/17	Not used
MEA020-040	6154	Non-discrete measurement name	C	an	1/70	Not used
MEA030	C174	Value/Range	C	Comp		Required
MEA030-010	6411	Measurement unit code	M	an	1/8	Required
MEA030-020	6314	Measure	C	an	1/18	Required

Example:

MEA+AAZ+AAB+KGM:9'

MEA Net weight

Pos: 0910	Max: 9
Conditional	
Group: 16	Elements: 3

Loop Path: Group 10-Group 11-Group 13-Group 16

User Option (Usage): Optional

Function: To specify physical measurements, including dimension tolerances, weights and counts.

Element Summary:

<u>Ref</u>	<u>Tag</u>	<u>Element Name</u>	<u>Status</u>	<u>Type</u>	<u>Min/Max</u>	<u>Usage</u>
MEA010	6311	Measurement purpose code qualifier	M	an	1/3	Required
		<u>Code</u> <u>Name</u>				
		AAZ Handling unit measurement				
MEA020	C502	Measurement details	C	Comp		Required
MEA020-010	6313	Measured attribute code	C	an	1/3	Required
		<u>Code</u> <u>Name</u>				
		AAA Net weight				
MEA020-020	6321	Measurement significance code	C	an	1/3	Not used
MEA020-030	6155	Non-discrete measurement name code	C	an	1/17	Not used
MEA020-040	6154	Non-discrete measurement name	C	an	1/70	Not used
MEA030	C174	Value/Range	C	Comp		Required
MEA030-010	6411	Measurement unit code	M	an	1/8	Required
MEA030-020	6314	Measure	C	an	1/18	Required

Example:

MEA+AAZ+AAA+KGM:9'

Segment Group 11

Pos: 0920	Repeat: 9999
Conditional	
Group: 11	Elements: N/A

Loop Path: Group 10

User Option (Usage): Optional

Function: Additional packaging / co-pack

Segment Group Summary:

<u>Pos</u>	<u>Tag</u>	<u>Segment Name</u>	<u>Status</u>	<u>Rep</u>	<u>Usage</u>
0930	PAC	Package	M	1	Required
0940	MEA	Gross weight	C	1	Optional
0950	MEA	Length	C	1	Optional
0960	MEA	Width	C	1	Optional
0970	MEA	Height	C	1	Optional

PAC Package

Pos: 0930	Max: 1
Mandatory	
Group: 11	Elements: 4

Loop Path: Group 10-Group 11

User Option (Usage): Required

Function: To describe the number and type of packages/physical units.

Element Summary:

<u>Ref</u>	<u>Tag</u>	<u>Element Name</u>	<u>Status</u>	<u>Type</u>	<u>Min/Max</u>	<u>Usage</u>
PAC010	7224	Package quantity	C	n	1/8	Optional
PAC020	C531	Packaging details	C	Comp		Required
PAC020-010	7075	Packaging level code	C	an	1/3	Not used
PAC020-020	7233	Packaging related description code	C	an	1/3	Required
		<u>Code</u> <u>Name</u>				
		37 Package protection				
PAC020-030	7073	Packaging terms and conditions code	C	an	1/3	Optional
		<u>Code</u> <u>Name</u>				
		AAA One way packaging, supplier pays				
		AAB One way packaging, customer pays				
		AAC Customer's returnable package item				
		AAD returnable packaging owned by supplier				
		AAE returnable packaging owned by service provider				
PAC030	C202	Package type	C	Comp		Optional
PAC030-010	7065	Package type description code	C	an	1/17	Required
PAC030-020	1131	Code list identification code	C	an	1/17	Not used
PAC030-030	3055	Code list responsible agency code	C	an	1/3	Optional
		<u>Code</u> <u>Name</u>				
		92 Assigned by buyer or buyer's agent				
PAC040	C402	Package type identification	C	Comp		Optional
PAC040-010	7077	Description format code	M	an	1/3	Required
		<u>Code</u> <u>Name</u>				
		C Code (from industry code list)				
PAC040-020	7064	Type of packages	M	an	1/35	Required
PAC040-030	7143	Item type identification code	C	an	1/3	Optional
		<u>Code</u> <u>Name</u>				
		SA Supplier's article number				

Example:

PAC+1+:37:7+CODE::10'

MEA Gross weight

Pos: 0940	Max: 1
Conditional	
Group: 11	Elements: 3

Loop Path: Group 10-Group 11

User Option (Usage): Optional

Function: To specify physical measurements, including dimension tolerances, weights and counts.

Element Summary:

Ref	Tag	Element Name	Status	Type	Min/Max	Usage
MEA010	6311	Measurement purpose code qualifier	M	an	1/3	Required
		<u>Code</u> <u>Name</u>				
		AAY Package measurement				
MEA020	C502	Measurement details	C	Comp		Required
MEA020-010	6313	Measured attribute code	C	an	1/3	Required
		<u>Code</u> <u>Name</u>				
		G Gross weight				
MEA020-020	6321	Measurement significance code	C	an	1/3	Not used
MEA020-030	6155	Non-discrete measurement name code	C	an	1/17	Not used
MEA020-040	6154	Non-discrete measurement name	C	an	1/70	Not used
MEA030	C174	Value/Range	C	Comp		Required
MEA030-010	6411	Measurement unit code	M	an	1/8	Required
		<u>Code</u> <u>Name</u>				
		KGM kilogram				
MEA030-020	6314	Measure	C	an	1/18	Required
		Description: <i>Weight of packaging aid</i>				

Example:

MEA+AAY+G+KGM:1000'

MEA Length

Pos: 0950	Max: 1
Conditional	
Group: 11	Elements: 3

Loop Path: Group 10-Group 11

User Option (Usage): Optional

Function: To specify physical measurements, including dimension tolerances, weights and counts.

Element Summary:

<u>Ref</u>	<u>Tag</u>	<u>Element Name</u>	<u>Status</u>	<u>Type</u>	<u>Min/Max</u>	<u>Usage</u>
MEA010	6311	Measurement purpose code qualifier	M	an	1/3	Required
		<u>Code</u> <u>Name</u>				
		AAY Package measurement				
MEA020	C502	Measurement details	C	Comp		Required
MEA020-010	6313	Measured attribute code	C	an	1/3	Required
		<u>Code</u> <u>Name</u>				
		LN Length				
MEA020-020	6321	Measurement significance code	C	an	1/3	Not used
MEA020-030	6155	Non-discrete measurement name code	C	an	1/17	Not used
MEA020-040	6154	Non-discrete measurement name	C	an	1/70	Not used
MEA030	C174	Value/Range	C	Comp		Required
MEA030-010	6411	Measurement unit code	M	an	1/8	Required
		<u>Code</u> <u>Name</u>				
		MMT millimetre				
MEA030-020	6314	Measure	C	n	1/5	Required
		Description: <i>Length</i>				

Example:

MEA+AAY+LN+CMT:100'

MEA Width

Pos: 0960	Max: 1
Conditional	
Group: 11	Elements: 3

Loop Path: Group 10-Group 11

User Option (Usage): Optional

Function: To specify physical measurements, including dimension tolerances, weights and counts.

Element Summary:

<u>Ref</u>	<u>Tag</u>	<u>Element Name</u>	<u>Status</u>	<u>Type</u>	<u>Min/Max</u>	<u>Usage</u>
MEA010	6311	Measurement purpose code qualifier	M	an	1/3	Required
		<u>Code</u> <u>Name</u>				
		AAY Package measurement				
MEA020	C502	Measurement details	C	Comp		Required
MEA020-010	6313	Measured attribute code	C	an	1/3	Required
		<u>Code</u> <u>Name</u>				
		WD Width dimension				
MEA020-020	6321	Measurement significance code	C	an	1/3	Not used
MEA020-030	6155	Non-discrete measurement name code	C	an	1/17	Not used
MEA020-040	6154	Non-discrete measurement name	C	an	1/70	Not used
MEA030	C174	Value/Range	C	Comp		Required
MEA030-010	6411	Measurement unit code	M	an	1/8	Required
		<u>Code</u> <u>Name</u>				
		MMT millimetre				
MEA030-020	6314	Measure	C	n	1/12	Required
		Description: <i>Width</i>				

Example:

MEA+AAY+WD+MTR:1.0'

MEA Height

Pos: 0970	Max: 1
Conditional	
Group: 11	Elements: 3

Loop Path: Group 10-Group 11

User Option (Usage): Optional

Function: To specify physical measurements, including dimension tolerances, weights and counts.

Element Summary:

<u>Ref</u>	<u>Tag</u>	<u>Element Name</u>	<u>Status</u>	<u>Type</u>	<u>Min/Max</u>	<u>Usage</u>
MEA010	6311	Measurement purpose code qualifier	M	an	1/3	Required
		<u>Code</u> <u>Name</u>				
		AAY Package measurement				
MEA020	C502	Measurement details	C	Comp		Required
MEA020-010	6313	Measured attribute code	C	an	1/3	Required
		<u>Code</u> <u>Name</u>				
		HT Height dimension				
MEA020-020	6321	Measurement significance code	C	an	1/3	Not used
MEA020-030	6155	Non-discrete measurement name code	C	an	1/17	Optional
MEA020-040	6154	Non-discrete measurement name	C	an	1/70	Not used
MEA030	C174	Value/Range	C	Comp		Required
MEA030-010	6411	Measurement unit code	M	an	1/3	Required
		<u>Code</u> <u>Name</u>				
		MMT millimetre				
MEA030-020	6314	Measure	C	n	1/5	Required
		Description: <i>Height</i>				

Example:

MEA+AAY+HT+MTR:1.2'

Segment Group 10

Pos: 0980	Repeat: 9999
Conditional	
Group: 10	Elements: N/A

User Option (Usage): Required

Function: Despatch control line / group of inner packaging items and article line

Segment Group Summary:

<u>Pos</u>	<u>Tag</u>	<u>Segment Name</u>	<u>Status</u>	<u>Rep</u>	<u>Usage</u>
0990	CPS	Consignment packing sequence	M	1	Required
1000		Segment Group 11	C	9999	Optional
1280		Segment Group 11	C	9999	Optional
1340		Segment Group 17	C	9999	Required

CPS

Consignment packing sequence

Pos: 0990	Max: 1
Mandatory	
Group: 10	Elements: 3

Loop Path: Group 10

User Option (Usage): Required

Function: To identify the sequence in which physical packing is presented in the consignment, and optionally to identify the hierarchical relationship between packing layers.

Element Summary:

<u>Ref</u>	<u>Tag</u>	<u>Element Name</u>	<u>Status</u>	<u>Type</u>	<u>Min/Max</u>	<u>Usage</u>
CPS010	7164	Hierarchical structure level identifier	M	n	1/6	Required
CPS020	7166	Hierarchical structure parent identifier	C	an	1/35	Not used
CPS030	7075	Packaging level code	C	an	1/3	Required
		<u>Code</u>		<u>Name</u>		
		1		Inner		
		4		No packaging hierarchy		

Example:

CPS+2++4'

Segment Group 11

Pos: 1000	Repeat: 9999
Conditional	
Group: 11	Elements: N/A

Loop Path: Group 10
User Option (Usage): Optional
Function: Package

Segment Group Summary:

<u>Pos</u>	<u>Tag</u>	<u>Segment Name</u>	<u>Status</u>	<u>Rep</u>	<u>Usage</u>
1010	PAC	Package	M	1	Required
1020	MEA	Gross weight	C	1	Optional
1030	MEA	Net weight	C	1	Optional
1040	MEA	Length	C	1	Optional
1050	MEA	Width	C	1	Optional
1060	MEA	Height	C	1	Optional
1070	MEA	Package volume	C	1	Optional
1080	QTY	Maximum stackability	C	1	Optional
1090	QTY	Actual quantity per package	C	1	Optional
1100		Segment Group 13	C	1000	Optional

PAC Package

Pos: 1010	Max: 1
Mandatory	
Group: 11	Elements: 4

Loop Path: Group 10-Group 11

User Option (Usage): Required

Function: To describe the number and type of packages/physical units.

Element Summary:

<u>Ref</u>	<u>Tag</u>	<u>Element Name</u>	<u>Status</u>	<u>Type</u>	<u>Min/Max</u>	<u>Usage</u>
PAC010	7224	Package quantity	C	n	1/6	Required
PAC020	C531	Packaging details	C	Comp		Required
PAC020-010	7075	Packaging level code	C	an	1/3	Not used
PAC020-020	7233	Packaging related description code	C	an	1/3	Required
		<u>Code</u> <u>Name</u>				
		35 Type of package				
PAC020-030	7073	Packaging terms and conditions code	C	an	1/3	Optional
		<u>Code</u> <u>Name</u>				
		AAA One way packaging, supplier pays				
		AAB One way packaging, customer pays				
		AAC Customer's returnable package item				
		AAD returnable packaging owned by supplier				
		AAE returnable packaging owned by service provider				
PAC030	C202	Package type	C	Comp		Required
PAC030-010	7065	Package type description code	C	an	1/17	Required
PAC030-020	1131	Code list identification code	C	an	1/17	Not used
PAC030-030	3055	Code list responsible agency code	C	an	1/3	Optional
		<u>Code</u> <u>Name</u>				
		92 Assigned by buyer or buyer's agent				
PAC030-040	7064	Type of packages	C	an	1/35	Not used
PAC040	C402	Package type identification	C	Comp		Optional
PAC040-010	7077	Description format code	M	an	1/3	Required
		<u>Code</u> <u>Name</u>				
		X Semi-structured (code + text)				
PAC040-020	7064	Type of packages	M	an	1/35	Required
PAC040-030	7143	Item type identification code	C	an	1/3	Optional
		<u>Code</u> <u>Name</u>				
		SA Supplier's article number				
PAC040-040	7064	Type of packages	C	an	1/35	Optional

Example:

PAC+1+:35:AAA+KLT6428::92'

MEA Gross weight

Pos: 1020	Max: 1
Conditional	
Group: 11	Elements: 3

Loop Path: Group 10-Group 11

User Option (Usage): Optional

Function: To specify physical measurements, including dimension tolerances, weights and counts.

Element Summary:

<u>Ref</u>	<u>Tag</u>	<u>Element Name</u>	<u>Status</u>	<u>Type</u>	<u>Min/Max</u>	<u>Usage</u>
MEA010	6311	Measurement purpose code qualifier	M	an	1/3	Required
		<u>Code</u> <u>Name</u>				
		AAY Package measurement				
MEA020	C502	Measurement details	C	Comp		Required
MEA020-010	6313	Measured attribute code	C	an	1/3	Required
		<u>Code</u> <u>Name</u>				
		G Gross weight				
MEA020-020	6321	Measurement significance code	C	an	1/3	Not used
MEA020-030	6155	Non-discrete measurement name code	C	an	1/17	Not used
MEA020-040	6154	Non-discrete measurement name	C	an	1/70	Not used
MEA030	C174	Value/Range	C	Comp		Required
MEA030-010	6411	Measurement unit code	M	an	1/8	Required
		<u>Code</u> <u>Name</u>				
		KGM kilogram				
MEA030-020	6314	Measure	C	an	1/18	Required
		Description: <i>Gross weight - weight (mass) without carrier's equipment</i>				

Example:

MEA+AAY+G+KGM:1000'

MEA Net weight

Pos: 1030	Max: 1
Conditional	
Group: 11	Elements: 3

Loop Path: Group 10-Group 11

User Option (Usage): Optional

Function: To specify physical measurements, including dimension tolerances, weights and counts.

Element Summary:

Ref	Tag	Element Name	Status	Type	Min/Max	Usage
MEA010	6311	Measurement purpose code qualifier	M	an	1/3	Required
		<u>Code</u> <u>Name</u>				
		AAY Package measurement				
MEA020	C502	Measurement details	C	Comp		Required
MEA020-010	6313	Measured attribute code	C	an	1/3	Required
		<u>Code</u> <u>Name</u>				
		AAL Net weight				
MEA020-020	6321	Measurement significance code	C	an	1/3	Not used
MEA020-030	6155	Non-discrete measurement name code	C	an	1/17	Optional
MEA020-040	6154	Non-discrete measurement name	C	an	1/70	Not used
MEA030	C174	Value/Range	C	Comp		Required
MEA030-010	6411	Measurement unit code	M	an	1/8	Required
		<u>Code</u> <u>Name</u>				
		KGM kilogram				
MEA030-020	6314	Measure	C	an	1/18	Required
		Description: <i>Weight (mass) or products</i>				

Example:

MEA+AAY+AAL+KGM:990'

MEA Length

Pos: 1040	Max: 1
Conditional	
Group: 11	Elements: 3

Loop Path: Group 10-Group 11

User Option (Usage): Optional

Function: To specify physical measurements, including dimension tolerances, weights and counts.

Element Summary:

<u>Ref</u>	<u>Tag</u>	<u>Element Name</u>	<u>Status</u>	<u>Type</u>	<u>Min/Max</u>	<u>Usage</u>
MEA010	6311	Measurement purpose code qualifier	M	an	1/3	Required
		<u>Code</u> <u>Name</u>				
		AAZ Handling unit measurement				
MEA020	C502	Measurement details	C	Comp		Required
MEA020-010	6313	Measured attribute code	C	an	1/3	Conditional
		<u>Code</u> <u>Name</u>				
		LN Length				
MEA020-020	6321	Measurement significance code	C	an	1/3	Not used
MEA020-030	6155	Non-discrete measurement name code	C	an	1/17	Not used
MEA020-040	6154	Non-discrete measurement name	C	an	1/70	Not used
MEA030	C174	Value/Range	C	Comp		Required
MEA030-010	6411	Measurement unit code	M	an	1/8	Required
		<u>Code</u> <u>Name</u>				
		MMT millimetre				
MEA030-020	6314	Measure	C	n	1/5	Required
		Description: <i>Length</i>				

Example:

MEA+AAZ+LN+MMT:9'

MEA Width

Pos: 1050	Max: 1
Conditional	
Group: 11	Elements: 3

Loop Path: Group 10-Group 11

User Option (Usage): Optional

Function: To specify physical measurements, including dimension tolerances, weights and counts.

Element Summary:

<u>Ref</u>	<u>Tag</u>	<u>Element Name</u>	<u>Status</u>	<u>Type</u>	<u>Min/Max</u>	<u>Usage</u>
MEA010	6311	Measurement purpose code qualifier	M	an	1/3	Required
		<u>Code</u> <u>Name</u>				
		AAZ Handling unit measurement				
MEA020	C502	Measurement details	C	Comp		Required
MEA020-010	6313	Measured attribute code	C	an	1/3	Required
		<u>Code</u> <u>Name</u>				
		WD Width dimension				
MEA020-020	6321	Measurement significance code	C	an	1/3	Not used
MEA020-030	6155	Non-discrete measurement name code	C	an	1/17	Not used
MEA020-040	6154	Non-discrete measurement name	C	an	1/70	Not used
MEA030	C174	Value/Range	C	Comp		Required
MEA030-010	6411	Measurement unit code	M	an	1/8	Required
		<u>Code</u> <u>Name</u>				
		MMT millimetre				
MEA030-020	6314	Measure	C	an	1/12	Required
		Description: <i>Width</i>				

Example:

MEA+AAZ+WD+MMT:9'

MEA Height

Pos: 1060	Max: 1
Conditional	
Group: 11	Elements: 3

Loop Path: Group 10-Group 11

User Option (Usage): Optional

Function: To specify physical measurements, including dimension tolerances, weights and counts.

Element Summary:

<u>Ref</u>	<u>Tag</u>	<u>Element Name</u>	<u>Status</u>	<u>Type</u>	<u>Min/Max</u>	<u>Usage</u>
MEA010	6311	Measurement purpose code qualifier	M	an	1/3	Required
		<u>Code</u> <u>Name</u>				
		AAY Package measurement				
MEA020	C502	Measurement details	C	Comp		Required
MEA020-010	6313	Measured attribute code	C	an	1/3	Required
		<u>Code</u> <u>Name</u>				
		HT Height dimension				
MEA020-020	6321	Measurement significance code	C	an	1/3	Not used
MEA020-030	6155	Non-discrete measurement name code	C	an	1/17	Not used
MEA020-040	6154	Non-discrete measurement name	C	an	1/70	Not used
MEA030	C174	Value/Range	C	Comp		Required
MEA030-010	6411	Measurement unit code	M	an	1/8	Required
		<u>Code</u> <u>Name</u>				
		MMT millimetre				
MEA030-020	6314	Measure	C	an	1/5	Required
		Description: <i>Height</i>				

Example:

MEA+AAZ+HT+MMT:9'

MEA Package volume

Pos: 1070	Max: 1
Conditional	
Group: 11	Elements: 3

Loop Path: Group 10-Group 11

User Option (Usage): Optional

Function: To specify physical measurements, including dimension tolerances, weights and counts.

Element Summary:

<u>Ref</u>	<u>Tag</u>	<u>Element Name</u>	<u>Status</u>	<u>Type</u>	<u>Min/Max</u>	<u>Usage</u>
MEA010	6311	Measurement purpose code qualifier	M	an	1/3	Required
		<u>Code</u> <u>Name</u>				
		AAZ Handling unit measurement				
MEA020	C502	Measurement details	C	Comp		Required
MEA020-010	6313	Measured attribute code	C	an	1/3	Conditional
		<u>Code</u> <u>Name</u>				
		ABJ Volume				
MEA020-020	6321	Measurement significance code	C	an	1/3	Not used
MEA020-030	6155	Non-discrete measurement name code	C	an	1/17	Not used
MEA020-040	6154	Non-discrete measurement name	C	an	1/70	Not used
MEA030	C174	Value/Range	C	Comp		Conditional
MEA030-010	6411	Measurement unit code	M	an	1/8	Required
		<u>Code</u> <u>Name</u>				
		DMQ cubic decimetre				
		MTQ cubic metre				
MEA030-020	6314	Measure	C	an	1/18	Conditional
		Description: <i>Volume</i>				

Example:

MEA+AAZ+ABJ+DMQ:9'

QTY Maximum stackability

Pos: 1080	Max: 1
Conditional	
Group: 11	Elements: 1

Loop Path: Group 10-Group 11

User Option (Usage): Optional

Function: To specify a pertinent quantity.

Element Summary:

<u>Ref</u>	<u>Tag</u>	<u>Element Name</u>	<u>Status</u>	<u>Type</u>	<u>Min/Max</u>	<u>Usage</u>
QTY010	C186	Quantity details	M	Comp		Required
QTY010-010	6063	Quantity type code qualifier	M	an	1/3	Required
		<u>Code</u> <u>Name</u>				
		171 Maximum stackability				
QTY010-020	6060	Quantity	M	an	1/35	Required
QTY010-030	6411	Measurement unit code	C	an	1/8	Optional

Description:

referring to UN/ECE Rec. 20

CSA Usage:

- . C62 - one
- . PCE - piece
- . KGM - kilogram
- . LTR - litre
- . MTR - metre
- . MTQ - cubic metre

Example:

QTY+171:3:C62'

QTY**Actual quantity per package**

Pos: 1090	Max: 1
Conditional	
Group: 11	Elements: 1

Loop Path: Group 10-Group 11**User Option (Usage):** Optional**Function:** To specify a pertinent quantity.**Element Summary:**

<u>Ref</u>	<u>Tag</u>	<u>Element Name</u>	<u>Status</u>	<u>Type</u>	<u>Min/Max</u>	<u>Usage</u>
QTY010	C186	Quantity details	M	Comp		Required
QTY010-010	6063	Quantity type code qualifier	M	an	1/3	Required
		<u>Code</u>		<u>Name</u>		
		52		Quantity per pack		
		189		Number of packages in handling unit		
QTY010-020	6060	Quantity	M	an	1/35	Required
QTY010-030	6411	Measurement unit code	C	an	1/8	Optional
		Description: referring to UN/ECE Rec. 20				
		CSA Usage:				
		. C62 - one				
		. PCE - piece				
		. KGM - kilogram				
		. LTR - litre				
		. MTR - metre				
		. MTQ - cubic metre				
		<u>Code</u>		<u>Name</u>		
		C62		one		
		PCE		piece		

Example:

QTY+189:5:PCE'

Segment Group 13

Pos: 1100	Repeat: 1000
Conditional	
Group: 13	Elements: N/A

Loop Path: Group 10-Group 11

User Option (Usage): Optional

Function: List of individual package items

Segment Group Summary:

<u>Pos</u>	<u>Tag</u>	<u>Segment Name</u>	<u>Status</u>	<u>Rep</u>	<u>Usage</u>
1110	PCI	Package identification	M	1	Required
1120	DTM	Requested delivery date	C	1	Optional
1130		Segment Group 14	C	10	Dependent
1150		Segment Group 14	C	1	Optional
1180		Segment Group 15	C	99	Optional
1200		Segment Group 15	C	99	Optional
1220		Segment Group 15	C	99	Optional
1240		Segment Group 15	C	99	Optional
1260		Segment Group 15	C	99	Optional

PCI Package identification

Pos: 1110	Max: 1
Mandatory	
Group: 13	Elements: 4

Loop Path: Group 10-Group 11-Group 13

User Option (Usage): Required

Function: To specify markings and labels on individual packages or physical units.

Element Summary:

<u>Ref</u>	<u>Tag</u>	<u>Element Name</u>	<u>Status</u>	<u>Type</u>	<u>Min/Max</u>	<u>Usage</u>
PCI010	4233	Marking instructions code	C	an	1/3	Optional
		<u>Code</u> <u>Name</u>				
		17 Seller's instructions				
PCI020	C210	Marks & Labels	C	Comp		Optional
PCI020-010	7102	Shipping marks description	M	an	1/35	Required
PCI020-020	7102	Shipping marks description	C	an	1/35	Optional
PCI020-030	7102	Shipping marks description	C	an	1/35	Optional
PCI020-040	7102	Shipping marks description	C	an	1/35	Optional
PCI020-050	7102	Shipping marks description	C	an	1/35	Optional
PCI020-060	7102	Shipping marks description	C	an	1/35	Optional
PCI020-070	7102	Shipping marks description	C	an	1/35	Optional
PCI020-080	7102	Shipping marks description	C	an	1/35	Optional
PCI020-090	7102	Shipping marks description	C	an	1/35	Optional
PCI020-100	7102	Shipping marks description	C	an	1/35	Optional
PCI030	8169	Full or empty indicator code	C	an	1/3	Not used
PCI040	C827	Type of marking	C	Comp		Optional
PCI040-010	7511	Marking type code	M	an	1/3	Required
		<u>Code</u> <u>Name</u>				
		1J Unique license plate number lowest package level				
		5J Unique license plate number assigned to a mixed load				
		6J Unique license plate number assigned to a master load				
PCI040-020	1131	Code list identification code	C	an	1/17	Not used
PCI040-030	3055	Code list responsible agency code	C	an	1/3	Required
		<u>Code</u> <u>Name</u>				
		5 ISO (International Organization for Standardization)				

Example:

PCI+17+++6J::5'

DTM Requested delivery date

Pos: 1120	Max: 1
Conditional	
Group: 13	Elements: 1

Loop Path: Group 10-Group 11-Group 13

User Option (Usage): Optional

Function: To specify date, and/or time, or period.

Element Summary:

<u>Ref</u>	<u>Tag</u>	<u>Element Name</u>	<u>Status</u>	<u>Type</u>	<u>Min/Max</u>	<u>Usage</u>
DTM010	C507	Date/Time/Period	M	Comp		Required
DTM010-010	2005	Date or time or period function code qualifier	M	an	1/3	Required
		<u>Code</u> <u>Name</u>				
		2 Delivery date/time, requested				
DTM010-020	2380	Date or time or period text	C	n	1/12	Required
DTM010-030	2379	Date or time or period format code	C	an	1/3	Optional
		<u>Code</u> <u>Name</u>				
		102 CCYYMMDD				
		203 CCYYMMDDHHMM				

Segment Group 14

Pos: 1130	Repeat: 10
Conditional	
Group: 14	Elements: N/A

Loop Path: Group 10-Group 11-Group 13

User Option (Usage): Dependent

Function: Vehicle reference data e.g. for JIS deliveries

Segment Group Summary:

<u>Pos</u>	<u>Tag</u>	<u>Segment Name</u>	<u>Status</u>	<u>Rep</u>	<u>Usage</u>
1140	GIR	Manufacturing reference number and other relevant attributes of the vehicle	M	1	Required

GIR

Manufacturing reference number and other relevant attributes of the vehicle

Pos: 1140	Max: 1
Mandatory	
Group: 14	Elements: 6

Loop Path: Group 10-Group 11-Group 13-Group 14**User Option (Usage):** Required**Function:** To specify a related set of identification numbers.

Element Summary:

<u>Ref</u>	<u>Tag</u>	<u>Element Name</u>	<u>Status</u>	<u>Type</u>	<u>Min/Max</u>	<u>Usage</u>
GIR010	7297	Set type code qualifier	M	an	1/3	Required
		<u>Code</u> <u>Name</u>				
		4 Vehicle reference set				
GIR020	C206	Identification number	M	Comp		Required
GIR020-010	7402	Object identifier	M	an	1/35	Required
GIR020-020	7405	Object identification code qualifier	C	an	1/3	Required
		<u>Code</u> <u>Name</u>				
		AN Manufacturing reference number				
		AP Product				
		X Vehicle identity number				
		XA JIS call-off group				
		XB Model year				
		XC Special colour				
		XD Individual text or code (e.g. exhibition, press, ...)				
		XE Pilot series ID				
		XF Interior configuration key				
		XG Parameter string (e.g. for adjustment of axles)				
		XH Re-order key or complaint ID				
		XI Internal vehicle call-off number				
		XJ Wheels at delivery specification				
		XK Change index of the changes to the original manufacturing order (original order =1)				
		XL Consecutive message number				
		XM Consecutive call-off number				
		XN Assembly line ID				
		XO Sequence number				
GIR020-030	4405	Status description code	C	an	1/3	Not used
GIR030	C206	Identification number	C	Comp		Optional
GIR030-010	7402	Object identifier	M	an	1/35	Required
		Description: see 7402#1				
GIR030-020	7405	Object identification code qualifier	C	an	1/3	Required
		Description: see 7405#1				
GIR040	C206	Identification number	C	Comp		Optional
GIR040-010	7402	Object identifier	M	an	1/35	Required
		Description: see 7402#1				
GIR040-020	7405	Object identification code qualifier	C	an	1/3	Required

		Description: see 7405#1				
GIR050	C206	Identification number	C	Comp		Optional
GIR050-010	7402	Object identifier	M	an	1/35	Required
		Description: see 7402#1				
GIR050-020	7405	Object identification code qualifier	C	an	1/3	Required
		Description: see 7405#1				
GIR060	C206	Identification number	C	Comp		Optional
GIR060-010	7402	Object identifier	M	an	1/35	Required
		Description: see 7402#1				
GIR060-020	7405	Object identification code qualifier	C	an	1/3	Required
		Description: see 7405#1				

Example:

GIR+4+1258:AN'

Segment Group 14

Pos: 1150	Repeat: 1
Conditional	
Group: 14	Elements: N/A

Loop Path: Group 10-Group 11-Group 13

User Option (Usage): Optional

Function: Batch number, production / best before date

Segment Group Summary:

<u>Pos</u>	<u>Tag</u>	<u>Segment Name</u>	<u>Status</u>	<u>Rep</u>	<u>Usage</u>
1160	GIR	Batch number	M	1	Required
1170	DTM	Manufacturing date	C	3	Dependent

GIR**Batch number**

Pos: 1160	Max: 1
Mandatory	
Group: 14	Elements: 2

Loop Path: Group 10-Group 11-Group 13-Group 14**User Option (Usage):** Required**Function:** To specify a related set of identification numbers.**Element Summary:**

<u>Ref</u>	<u>Tag</u>	<u>Element Name</u>	<u>Status</u>	<u>Type</u>	<u>Min/Max</u>	<u>Usage</u>
GIR010	7297	Set type code qualifier	M	an	1/3	Required
		<u>Code</u> <u>Name</u>				
		1 Product				
GIR020	C206	Identification number	M	Comp		Required
GIR020-010	7402	Object identifier	M	an	1/35	Required
GIR020-020	7405	Object identification code qualifier	C	an	1/3	Required
		<u>Code</u> <u>Name</u>				
		BX Batch number				
GIR020-030	4405	Status description code	C	an	1/3	Not used

DTM Manufacturing date

Pos: 1170	Max: 3
Conditional	
Group: 14	Elements: 1

Loop Path: Group 10-Group 11-Group 13-Group 14

User Option (Usage): Dependent

Function: To specify date, and/or time, or period.

Element Summary:

<u>Ref</u>	<u>Tag</u>	<u>Element Name</u>	<u>Status</u>	<u>Type</u>	<u>Min/Max</u>	<u>Usage</u>
DTM010	C507	Date/Time/Period	M	Comp		Required
DTM010-010	2005	Date or time or period function code qualifier	M	an	1/3	Required
		<u>Code</u> <u>Name</u>				
		36 Expiry date				
		94 Production/manufacture date				
		361 Product best before date time				
DTM010-020	2380	Date or time or period text	C	n	1/12	Required
DTM010-030	2379	Date or time or period format code	C	an	1/3	Optional
		<u>Code</u> <u>Name</u>				
		102 CCYYMMDD				
		203 CCYYMMDDHHMM				

CSA Usage:

Expiry Date has to be provided if agreed in business contract

Segment Group 15

Pos: 1180	Repeat: 99
Conditional	
Group: 15	Elements: N/A

Loop Path: Group 10-Group 11-Group 13

User Option (Usage): Optional

Function: Individual packaging item's label numbers

Segment Group Summary:

<u>Pos</u>	<u>Tag</u>	<u>Segment Name</u>	<u>Status</u>	<u>Rep</u>	<u>Usage</u>
1190	GIN	Individual packaging item's label numbers	M	1	Required

GIN

Individual packaging item's label numbers

Pos: 1190	Max: 1
Mandatory	
Group: 15	Elements: 6

Loop Path: Group 10-Group 11-Group 13-Group 15**User Option (Usage):** Required**Function:** To give specific identification numbers, either as single numbers or ranges.

Element Summary:

<u>Ref</u>	<u>Tag</u>	<u>Element Name</u>	<u>Status</u>	<u>Type</u>	<u>Min/Max</u>	<u>Usage</u>
GIN010	7405	Object identification code qualifier	M	an	1/3	Required
		<u>Code</u> <u>Name</u>				
		ML Marking/label number				
GIN020	C208	Identity number range	M	Comp		Required
GIN020-010	7402	Object identifier	M	an	1/35	Required
		Note:				
		The Serial Barcode must have a Prefix of				
		"S" for single box,				
		with a size of 19.				
		The format must be				
		SSSSSCCY123456789				
		S=Supplier Id (6)				
		 If your supplier id is numeric,				
		zero fill				
		 If your supplier id is				
		alphabetic and >6, use the last 6				
		characters				
		CCYY=Century and Year (4)				
		123456789-Unique Serial Number (9				
		digits), zero fill				
GIN020-020	7402	Object identifier	C	an	1/35	Not used
GIN030	C208	Identity number range	C	Comp		Optional
GIN030-010	7402	Object identifier	M	an	1/35	Required
GIN030-020	7402	Object identifier	C	an	1/35	Not used
GIN040	C208	Identity number range	C	Comp		Optional
GIN040-010	7402	Object identifier	M	an	1/35	Required
GIN040-020	7402	Object identifier	C	an	1/35	Not used
GIN050	C208	Identity number range	C	Comp		Optional
GIN050-010	7402	Object identifier	M	an	1/35	Required
GIN050-020	7402	Object identifier	C	an	1/35	Not used
GIN060	C208	Identity number range	C	Comp		Optional
GIN060-010	7402	Object identifier	M	an	1/35	Required
GIN060-020	7402	Object identifier	C	an	1/35	Not used

Example:

GIN+ML+0122445'

B2B Services

Segment Group 15

Pos: 1200	Repeat: 99
Conditional	
Group: 15	Elements: N/A

Loop Path: Group 10-Group 11-Group 13

User Option (Usage): Optional

Function: Canban ID

Segment Group Summary:

<u>Pos</u>	<u>Tag</u>	<u>Segment Name</u>	<u>Status</u>	<u>Rep</u>	<u>Usage</u>
1210	GIN	Canban ID	M	1	Required

GIN**Canban ID**

Pos: 1210	Max: 1
Mandatory	
Group: 15	Elements: 6

Loop Path: Group 10-Group 11-Group 13-Group 15**User Option (Usage):** Required**Function:** To give specific identification numbers, either as single numbers or ranges.**Element Summary:**

<u>Ref</u>	<u>Tag</u>	<u>Element Name</u>	<u>Status</u>	<u>Type</u>	<u>Min/Max</u>	<u>Usage</u>
GIN010	7405	Object identification code qualifier	M	an	1/3	Required
		<u>Code</u> <u>Name</u>				
		AL Kanban card identifier				
GIN020	C208	Identity number range	M	Comp		Required
GIN020-010	7402	Object identifier	M	an	1/35	Required
		Description: <i>Unique ID of a kanban card.</i>				
GIN020-020	7402	Object identifier	C	an	1/35	Not used
GIN030	C208	Identity number range	M	Comp		Optional
GIN030-010	7402	Object identifier	M	an	1/35	Required
GIN030-020	7402	Object identifier	C	an	1/35	Not used
GIN040	C208	Identity number range	M	Comp		Required
GIN040-010	7402	Object identifier	M	an	1/35	Required
GIN040-020	7402	Object identifier	C	an	1/35	Not used
GIN050	C208	Identity number range	M	Comp		Optional
GIN050-010	7402	Object identifier	M	an	1/35	Required
GIN050-020	7402	Object identifier	C	an	1/35	Not used
GIN060	C208	Identity number range	M	Comp		Required
GIN060-010	7402	Object identifier	M	an	1/35	Required
GIN060-020	7402	Object identifier	C	an	1/35	Not used

Example:*GIN+AL+Canban card ID'*

Segment Group 15

Pos: 1220	Repeat: 99
Conditional	
Group: 15	Elements: N/A

Loop Path: Group 10-Group 11-Group 13

User Option (Usage): Optional

Function: Packaging number assigned by the customer

Segment Group Summary:

<u>Pos</u>	<u>Tag</u>	<u>Segment Name</u>	<u>Status</u>	<u>Rep</u>	<u>Usage</u>
1230	GIN	Packaging number assigned by customer	M	1	Required

GIN

Packaging number assigned by customer

Pos: 1230	Max: 1
Mandatory	
Group: 15	Elements: 6

Loop Path: Group 10-Group 11-Group 13-Group 15**User Option (Usage):** Required**Function:** To give specific identification numbers, either as single numbers or ranges.

Element Summary:

<u>Ref</u>	<u>Tag</u>	<u>Element Name</u>	<u>Status</u>	<u>Type</u>	<u>Min/Max</u>	<u>Usage</u>
GIN010	7405	Object identification code qualifier	M	an	1/3	Required
		<u>Code</u>				
		BU				
		<u>Name</u>				
		Package buyer assigned identifier				
GIN020	C208	Identity number range	M	Comp		Required
GIN020-010	7402	Object identifier	M	an	1/35	Required
GIN020-020	7402	Object identifier	C	an	1/35	Not used
GIN030	C208	Identity number range	M	Comp		Optional
GIN030-010	7402	Object identifier	M	an	1/35	Required
GIN030-020	7402	Object identifier	C	an	1/35	Not used
GIN040	C208	Identity number range	M	Comp		Required
GIN040-010	7402	Object identifier	M	an	1/35	Required
GIN040-020	7402	Object identifier	C	an	1/35	Not used
GIN050	C208	Identity number range	M	Comp		Optional
GIN050-010	7402	Object identifier	M	an	1/35	Required
GIN050-020	7402	Object identifier	C	an	1/35	Not used
GIN060	C208	Identity number range	M	Comp		Required
GIN060-010	7402	Object identifier	M	an	1/35	Required
GIN060-020	7402	Object identifier	C	an	1/35	Not used

Example:

GIN+BU+X12344350'

Segment Group 15

Pos: 1240	Repeat: 99
Conditional	
Group: 15	Elements: N/A

Loop Path: Group 10-Group 11-Group 13

User Option (Usage): Optional

Function: Continuous rack number

Package / Container serial number

Segment Group Summary:

<u>Pos</u>	<u>Tag</u>	<u>Segment Name</u>	<u>Status</u>	<u>Rep</u>	<u>Usage</u>
1250	GIN	Package / Container serial number	M	1	Required

GIN**Package / Container serial
number**

Pos: 1250	Max: 1
Mandatory	
Group: 15	Elements: 6

Loop Path: Group 10-Group 11-Group 13-Group 15**User Option (Usage):** Required**Function:** To give specific identification numbers, either as single numbers or ranges.**Element Summary:**

<u>Ref</u>	<u>Tag</u>	<u>Element Name</u>	<u>Status</u>	<u>Type</u>	<u>Min/Max</u>	<u>Usage</u>
GIN010	7405	Object identification code qualifier	M	an	1/3	Required
		<u>Code</u> <u>Name</u>				
		BN Serial number				
GIN020	C208	Identity number range	M	Comp		Required
GIN020-010	7402	Object identifier	M	an	1/35	Required
GIN020-020	7402	Object identifier	C	an	1/35	Dependent
GIN030	C208	Identity number range	C	Comp		Optional
GIN030-010	7402	Object identifier	M	an	1/35	Required
GIN030-020	7402	Object identifier	C	an	1/35	Dependent
GIN040	C208	Identity number range	C	Comp		Conditional
GIN040-010	7402	Object identifier	M	an	1/35	Required
GIN040-020	7402	Object identifier	C	an	1/35	Dependent
GIN050	C208	Identity number range	C	Comp		Conditional
GIN050-010	7402	Object identifier	M	an	1/35	Required
GIN050-020	7402	Object identifier	C	an	1/35	Dependent
GIN060	C208	Identity number range	C	Comp		Dependent
GIN060-010	7402	Object identifier	M	an	1/35	Required
GIN060-020	7402	Object identifier	C	an	1/35	Dependent

Example:*GIN+BN+00012345'*

Segment Group 15

Pos: 1260	Repeat: 99
Conditional	
Group: 15	Elements: N/A

Loop Path: Group 10-Group 11-Group 13

User Option (Usage): Optional

Function: Position number in package

Segment Group Summary:

<u>Pos</u>	<u>Tag</u>	<u>Segment Name</u>	<u>Status</u>	<u>Rep</u>	<u>Usage</u>
1270	GIN	Position number in package	M	1	Required

GIN**Position number in package**

Pos: 1270	Max: 1
Mandatory	
Group: 15	Elements: 6

Loop Path: Group 10-Group 11-Group 13-Group 15**User Option (Usage):** Required**Function:** To give specific identification numbers, either as single numbers or ranges.**Element Summary:**

<u>Ref</u>	<u>Tag</u>	<u>Element Name</u>	<u>Status</u>	<u>Type</u>	<u>Min/Max</u>	<u>Usage</u>
GIN010	7405	Object identification code qualifier	M	an	1/3	Required
		<u>Code</u> <u>Name</u>				
		AO Position number in package				
GIN020	C208	Identity number range	M	Comp		Required
GIN020-010	7402	Object identifier	M	an	1/35	Required
GIN020-020	7402	Object identifier	C	an	1/35	Dependent
GIN030	C208	Identity number range	C	Comp		Optional
GIN030-010	7402	Object identifier	M	an	1/35	Required
GIN030-020	7402	Object identifier	C	an	1/35	Dependent
GIN040	C208	Identity number range	C	Comp		Conditional
GIN040-010	7402	Object identifier	M	an	1/35	Required
GIN040-020	7402	Object identifier	C	an	1/35	Dependent
GIN050	C208	Identity number range	C	Comp		Conditional
GIN050-010	7402	Object identifier	M	an	1/35	Required
GIN050-020	7402	Object identifier	C	an	1/35	Dependent
GIN060	C208	Identity number range	C	Comp		Dependent
GIN060-010	7402	Object identifier	M	an	1/35	Required
GIN060-020	7402	Object identifier	C	an	1/35	Dependent

Example:

GIN+AO+001'

Segment Group 11

Pos: 1280	Repeat: 9999
Conditional	
Group: 11	Elements: N/A

Loop Path: Group 10

User Option (Usage): Optional

Function: Additional packaging / co-pack

Segment Group Summary:

<u>Pos</u>	<u>Tag</u>	<u>Segment Name</u>	<u>Status</u>	<u>Rep</u>	<u>Usage</u>
1290	PAC	Package	M	1	Required
1300	MEA	Weight	C	1	Optional
1310	MEA	Length	C	1	Optional
1320	MEA	Width	C	1	Optional
1330	MEA	Height	C	1	Optional

PAC Package

Pos: 1290	Max: 1
Mandatory	
Group: 11	Elements: 4

Loop Path: Group 10-Group 11

User Option (Usage): Required

Function: To describe the number and type of packages/physical units.

Element Summary:

<u>Ref</u>	<u>Tag</u>	<u>Element Name</u>	<u>Status</u>	<u>Type</u>	<u>Min/Max</u>	<u>Usage</u>
PAC010	7224	Package quantity	C	n	1/6	Required
PAC020	C531	Packaging details	C	Comp		Required
PAC020-010	7075	Packaging level code	C	an	1/3	Not used
PAC020-020	7233	Packaging related description code	C	an	1/3	Required
		<u>Code</u> <u>Name</u>				
		35 Type of package				
PAC020-030	7073	Packaging terms and conditions code	C	an	1/3	Optional
		<u>Code</u> <u>Name</u>				
		AAA One way packaging, supplier pays				
		AAB One way packaging, customer pays				
		AAC Customer's returnable package item				
		AAD returnable packaging owned by supplier				
		AAE returnable packaging owned by service provider				
PAC030	C202	Package type	C	Comp		Required
PAC030-010	7065	Package type description code	C	an	1/17	Required
PAC030-020	1131	Code list identification code	C	an	1/17	Not used
PAC030-030	3055	Code list responsible agency code	C	an	1/3	Optional
		<u>Code</u> <u>Name</u>				
		92 Assigned by buyer or buyer's agent				
PAC030-040	7064	Type of packages	C	an	1/35	Not used
PAC040	C402	Package type identification	C	Comp		Optional
PAC040-010	7077	Description format code	M	an	1/3	Required
		<u>Code</u> <u>Name</u>				
		X Semi-structured (code + text)				
PAC040-020	7064	Type of packages	M	an	1/35	Required
PAC040-030	7143	Item type identification code	C	an	1/3	Optional
		<u>Code</u> <u>Name</u>				
		SA Supplier's article number				
PAC040-040	7064	Type of packages	C	an	1/35	Optional

Example:

PAC+1+:35:AAA+KLT6428::92'

MEA Weight

Pos: 1300	Max: 1
Conditional	
Group: 11	Elements: 3

Loop Path: Group 10-Group 11

User Option (Usage): Optional

Function: To specify physical measurements, including dimension tolerances, weights and counts.

Element Summary:

<u>Ref</u>	<u>Tag</u>	<u>Element Name</u>	<u>Status</u>	<u>Type</u>	<u>Min/Max</u>	<u>Usage</u>
MEA010	6311	Measurement purpose code qualifier	M	an	1/3	Required
		<u>Code</u> <u>Name</u>				
		AAY Package measurement				
MEA020	C502	Measurement details	C	Comp		Required
MEA020-010	6313	Measured attribute code	C	an	1/3	Required
		<u>Code</u> <u>Name</u>				
		T Tare weight				
MEA020-020	6321	Measurement significance code	C	an	1/3	Not used
MEA020-030	6155	Non-discrete measurement name code	C	an	1/17	Not used
MEA020-040	6154	Non-discrete measurement name	C	an	1/70	Not used
MEA030	C174	Value/Range	C	Comp		Required
MEA030-010	6411	Measurement unit code	M	an	1/8	Required
		<u>Code</u> <u>Name</u>				
		KGM kilogram				
MEA030-020	6314	Measure	C	an	1/18	Required

Example:

MEA+AAY+T+KGM:1000'

MEA Length

Pos: 1310	Max: 1
Conditional	
Group: 11	Elements: 3

Loop Path: Group 10-Group 11

User Option (Usage): Optional

Function: To specify physical measurements, including dimension tolerances, weights and counts.

Element Summary:

<u>Ref</u>	<u>Tag</u>	<u>Element Name</u>	<u>Status</u>	<u>Type</u>	<u>Min/Max</u>	<u>Usage</u>
MEA010	6311	Measurement purpose code qualifier	M	an	1/3	Required
		<u>Code</u> <u>Name</u>				
		AAZ Handling unit measurement				
MEA020	C502	Measurement details	C	Comp		Required
MEA020-010	6313	Measured attribute code	C	an	1/3	Conditional
		<u>Code</u> <u>Name</u>				
		LN Length				
MEA020-020	6321	Measurement significance code	C	an	1/3	Not used
MEA020-030	6155	Non-discrete measurement name code	C	an	1/17	Not used
MEA020-040	6154	Non-discrete measurement name	C	an	1/70	Not used
MEA030	C174	Value/Range	C	Comp		Required
MEA030-010	6411	Measurement unit code	M	an	1/8	Required
		<u>Code</u> <u>Name</u>				
		MMT millimetre				
MEA030-020	6314	Measure	C	n	1/5	Required
		Description: <i>Length</i>				

Example:

MEA+AAZ+LN+MMT:9'

MEA Width

Pos: 1320	Max: 1
Conditional	
Group: 11	Elements: 3

Loop Path: Group 10-Group 11

User Option (Usage): Optional

Function: To specify physical measurements, including dimension tolerances, weights and counts.

Element Summary:

<u>Ref</u>	<u>Tag</u>	<u>Element Name</u>	<u>Status</u>	<u>Type</u>	<u>Min/Max</u>	<u>Usage</u>
MEA010	6311	Measurement purpose code qualifier	M	an	1/3	Required
		<u>Code</u> <u>Name</u>				
		AAZ Handling unit measurement				
MEA020	C502	Measurement details	C	Comp		Required
MEA020-010	6313	Measured attribute code	C	an	1/3	Required
		<u>Code</u> <u>Name</u>				
		WD Width dimension				
MEA020-020	6321	Measurement significance code	C	an	1/3	Not used
MEA020-030	6155	Non-discrete measurement name code	C	an	1/17	Not used
MEA020-040	6154	Non-discrete measurement name	C	an	1/70	Not used
MEA030	C174	Value/Range	C	Comp		Required
MEA030-010	6411	Measurement unit code	M	an	1/8	Required
		<u>Code</u> <u>Name</u>				
		MMT millimetre				
MEA030-020	6314	Measure	C	an	1/12	Required
		Description: <i>Width</i>				

Example:

MEA+AAZ+WD+MMT:9'

MEA Height

Pos: 1330	Max: 1
Conditional	
Group: 11	Elements: 3

Loop Path: Group 10-Group 11

User Option (Usage): Optional

Function: To specify physical measurements, including dimension tolerances, weights and counts.

Element Summary:

<u>Ref</u>	<u>Tag</u>	<u>Element Name</u>	<u>Status</u>	<u>Type</u>	<u>Min/Max</u>	<u>Usage</u>
MEA010	6311	Measurement purpose code qualifier	M	an	1/3	Required
		<u>Code</u> <u>Name</u>				
		AAY Package measurement				
MEA020	C502	Measurement details	C	Comp		Required
MEA020-010	6313	Measured attribute code	C	an	1/3	Required
		<u>Code</u> <u>Name</u>				
		HT Height dimension				
MEA020-020	6321	Measurement significance code	C	an	1/3	Not used
MEA020-030	6155	Non-discrete measurement name code	C	an	1/17	Not used
MEA020-040	6154	Non-discrete measurement name	C	an	1/70	Not used
MEA030	C174	Value/Range	C	Comp		Required
MEA030-010	6411	Measurement unit code	M	an	1/8	Required
		<u>Code</u> <u>Name</u>				
		MMT millimetre				
MEA030-020	6314	Measure	C	an	1/5	Required
		Description: <i>Height</i>				

Example:

MEA+AAZ+HT+MMT:9'

Segment Group 17

Pos: 1340	Repeat: 9999
Conditional	
Group: 17	Elements: N/A

Loop Path: Group 10

User Option (Usage): Required

Function: A group of segments providing details of the individual despatched items.

Segment Group Summary:

<u>Pos</u>	<u>Tag</u>	<u>Segment Name</u>	<u>Status</u>	<u>Rep</u>	<u>Usage</u>
0660	LIN	Line item	M	1	Required
1360	PIA	Additional product id	C	1	Optional
0680	IMD	Item description	C	25	Optional
1380	MEA	Net weight	C	1	Optional
1390	QTY	Despatched quantity	C	1	Required
1400	QTY	Quantity to be delivered	C	1	Dependent
1410	ALI	Country of origin	C	10	Optional
1420	GIN	Serial Number(s)	C	100	Optional
1430	GIN	Engine Number(s)	C	100	Optional
1440	NAD	Manufacturer	C	1	Optional
1450	FTX	Article long description	C	99	Optional
1460	MOA	Customs declared value	C	1	Optional
1470		Segment Group 18	C	1	Optional
1500		Segment Group 18	C	5	Optional
1540		Segment Group 18	C	1	Required
1570		Segment Group 18	C	99	Optional
1600		Segment Group 19	C	1	Optional
1640		Segment Group 20	C	1	Optional
1660		Segment Group 20	C	1	Optional

LIN**Line item**

Pos: 0660	Max: 1
Mandatory	
Group: 17	Elements: 3

Loop Path: Group 10-Group 17**User Option (Usage):** Required**Function:** To identify a line item and configuration.**Element Summary:**

<u>Ref</u>	<u>Tag</u>	<u>Element Name</u>	<u>Status</u>	<u>Type</u>	<u>Min/Max</u>	<u>Usage</u>
LIN010	1082	Line item identifier	C	an	1/6	Required

Note : Populate with value received in LIN010 from DELFOR

LIN020	1229	Action code	C	an	1/3	Not used
LIN030	C212	Item number identification	C	Comp		Required
LIN030-010	7140	Item identifier	C	an	1/35	Required
LIN030-020	7143	Item type identification code	C	an	1/3	Required

<u>Code</u>	<u>Name</u>
IN	Buyer's item number

CSA Usage:

LIN+xxx++Item1++0

PIA

Additional product id

Pos: 1360	Max: 1
Conditional	
Group: 17	Elements: 6

Loop Path: Group 10-Group 17

User Option (Usage): Optional

Function: To specify additional or substitutional item identification codes.

Element Summary:

<u>Ref</u>	<u>Tag</u>	<u>Element Name</u>	<u>Status</u>	<u>Type</u>	<u>Min/Max</u>	<u>Usage</u>
PIA010	4347	Product identifier code qualifier	M	an	1/3	Required
		<u>Code</u> <u>Name</u>				
		1 Additional identification				
PIA020	C212	Item number identification	M	Comp		Required
PIA020-010	7140	Item identifier	C	an	1/35	Required
PIA020-020	7143	Item type identification code	C	an	1/3	Required
		<u>Code</u> <u>Name</u>				
		AB Assembly				
		AG Software revision number				
		BT Technical phase				
		CL Colour number				
		DR Drawing revision number				
		EC Engineering change level				
		EN International Article Numbering Association (EAN)				
		HS Harmonised system				
		MN Model number				
		RY Record keeping of model year				
		SA Supplier's article number				
		UA Ultimate customer's article number				
PIA030	C212	Item number identification	C	Comp		Optional
PIA030-010	7140	Item identifier	C	an	1/35	Required
PIA030-020	7143	Item type identification code	C	an	1/3	Required
		Description: see C212#1				
		<u>Code</u> <u>Name</u>				
		DR Drawing revision number				
		EC Engineering change level				
PIA040	C212	Item number identification	C	Comp		Optional
PIA040-010	7140	Item identifier	C	an	1/35	Required
PIA040-020	7143	Item type identification code	C	an	1/3	Required
		Description: see C212#1				
PIA050	C212	Item number identification	C	Comp		Optional
PIA050-010	7140	Item identifier	C	an	1/35	Required
PIA050-020	7143	Item type identification code	C	an	1/3	Required
		Description: see C212#1				
PIA060	C212	Item number identification	C	Comp		Optional
PIA060-010	7140	Item identifier	C	an	1/35	Required

PIA060-020 7143 **Item type identification code** C an 1/3 Required

Description: see C212#1

Example:

PIA+1+76543:SA+123456:DR'

IMD

Item description

Pos: 0680	Max: 25
Conditional	
Group: 17	Elements: 3

Loop Path: Group 10-Group 17

User Option (Usage): Optional

Function: To describe an item in either an industry or free format.

Element Summary:

<u>Ref</u>	<u>Tag</u>	<u>Element Name</u>	<u>Status</u>	<u>Type</u>	<u>Min/Max</u>	<u>Usage</u>
IMD010	7077	Description format code	C	an	1/3	Not used
IMD020	C272	Item characteristic	C	Comp		Not used
IMD020-010	7081	Item characteristic code	C	an	1/3	Optional
IMD020-020	1131	Code list identification code	C	an	1/17	Optional
IMD020-030	3055	Code list responsible agency code	C	an	1/3	Optional
		<u>Code</u> <u>Name</u>				
		272 Joint Automotive Industry agency				
IMD030	C273	Item description	C	Comp		Optional
IMD030-010	7009	Item description code	C	an	1/17	Optional
		<u>Code</u> <u>Name</u>				
		11 Production				
		12 Service (spare part)				
		13 Production and service (spare parts)				
		14 Try-out				
		15 Pilot				
		16 Additional requirement				
		17 Initial sample				
		18 Sample				
		19 Other				
IMD030-030	3055	Code list responsible agency code	C	an	1/3	Optional
		<u>Code</u> <u>Name</u>				
		272 Joint Automotive Industry agency				
IMD030-040	7008	Item description	C	an	1/256	Optional
		Description: Article Description (Line 1) Description / short name of article in plain text.				
IMD030-050	7008	Item description	C	an	1/256	Optional
		Description: Article Description (Line 2)				
IMD030-060	3453	Language name code	C	an	1/3	Optional
		Description: Language code according to ISO 639-1988				

CSA Usage:

IMD+++:::XYZ iron mount'

MEA Net weight

Pos: 1380	Max: 1
Conditional	
Group: 17	Elements: 4

Loop Path: Group 10-Group 17

User Option (Usage): Optional

Function: To specify physical measurements, including dimension tolerances, weights and counts.

Element Summary:

<u>Ref</u>	<u>Tag</u>	<u>Element Name</u>	<u>Status</u>	<u>Type</u>	<u>Min/Max</u>	<u>Usage</u>
MEA010	6311	Measurement purpose code qualifier	M	an	1/3	Required
		<u>Code</u> <u>Name</u>				
		PD Physical dimensions (product ordered)				
MEA020	C502	Measurement details	C	Comp		Required
MEA020-010	6313	Measured attribute code	C	an	1/3	Required
		<u>Code</u> <u>Name</u>				
		AAL Net weight				
MEA020-020	6321	Measurement significance code	C	an	1/3	Not used
MEA020-030	6155	Non-discrete measurement name code	C	an	1/17	Not used
MEA020-040	6154	Non-discrete measurement name	C	an	1/70	Not used
MEA030	C174	Value/Range	C	Comp		Required
MEA030-010	6411	Measurement unit code	M	an	1/3	Required
		<u>Code</u> <u>Name</u>				
		GRM gram				
		KGM kilogram				
		TNE tonne (metric ton)				
MEA030-020	6314	Measure	C	n	1/11	Required
		Description: <i>Net Weight</i>				
MEA040	7383	Surface or layer code	C	an	1/3	Not used

Example:

MEA+PD+AAL+KGM:10'

QTY Despatched quantity

Pos: 1390	Max: 1
Conditional	
Group: 17	Elements: 1

Loop Path: Group 10-Group 17

User Option (Usage): Required

Function: To specify a pertinent quantity.

Element Summary:

<u>Ref</u>	<u>Tag</u>	<u>Element Name</u>	<u>Status</u>	<u>Type</u>	<u>Min/Max</u>	<u>Usage</u>
QTY010	C186	Quantity details	M	Comp		Required
QTY010-010	6063	Quantity type code qualifier	M	an	1/3	Required
		<u>Code</u> <u>Name</u>				
		12 Despatch quantity				
QTY010-020	6060	Quantity	M	n	1/10	Required
QTY010-030	6411	Measurement unit code	C	an	1/8	Optional

Description:

referring to UN/ECE Rec. 20

CSA Usage:

- . C62 - one
- . PCE - piece
- . KGM - kilogram
- . LTR - litre
- . MTR - metre
- . MTQ - cubic metre

<u>Code</u>	<u>Name</u>
C62	one
PCE	piece

Example:

QTY+12:50:C62'

QTY Quantity to be delivered

Pos: 1400	Max: 1
Conditional	
Group: 17	Elements: 1

Loop Path: Group 10-Group 17

User Option (Usage): Dependent

Function: To specify a pertinent quantity.

Element Summary:

<u>Ref</u>	<u>Tag</u>	<u>Element Name</u>	<u>Status</u>	<u>Type</u>	<u>Min/Max</u>	<u>Usage</u>
QTY010	C186	Quantity details	M	Comp		Required
QTY010-010	6063	Quantity type code qualifier	M	an	1/3	Required
		<u>Code</u> <u>Name</u>				
		131 Delivery quantity				
QTY010-020	6060	Quantity	M	n	1/10	Required
QTY010-030	6411	Measurement unit code	C	an	1/3	Optional

Description: referring to UN/ECE Rec. 20

CSA Usage:

- . C62 - one
- . PCE - piece
- . KGM - kilogram
- . LTR - litre
- . MTR - metre
- . MTQ - cubic metre

Example:

QTY+131:50:C62'

ALI**Country of origin**

Pos: 1410	Max: 10
Conditional	
Group: 17	Elements: 2

Loop Path: Group 10-Group 17**User Option (Usage):** Optional**Function:** To indicate that special conditions due to the origin, customs preference, fiscal or commercial factors are applicable.**Element Summary:**

<u>Ref</u>	<u>Tag</u>	<u>Element Name</u>	<u>Status</u>	<u>Type</u>	<u>Min/Max</u>	<u>Usage</u>
ALI010	3239	Country of origin identifier	C	a	2/2	Optional
ALI020	9213	Duty regime type code	C	an	1/3	Dependent
		<u>Code</u>		<u>Name</u>		
		N		No, origin is not subject to preference		
		Y		Yes, origin is subject to preference		

Example:

ALI+SE+1+73'

GIN**Serial Number(s)**

Pos: 1420	Max: 100
Conditional	
Group: 17	Elements: 6

Loop Path: Group 10-Group 17**User Option (Usage):** Optional**Function:** To give specific identification numbers, either as single numbers or ranges.**Element Summary:**

<u>Ref</u>	<u>Tag</u>	<u>Element Name</u>	<u>Status</u>	<u>Type</u>	<u>Min/Max</u>	<u>Usage</u>
GIN010	7405	Object identification code qualifier	M	an	1/3	Required
		<u>Code</u> <u>Name</u>				
		BN Serial number				
GIN020	C208	Identity number range	M	Comp		Required
GIN020-010	7402	Object identifier	M	an	1/35	Required
GIN020-020	7402	Object identifier	C	an	1/35	Dependent
GIN030	C208	Identity number range	C	Comp		Optional
GIN030-010	7402	Object identifier	M	an	1/35	Required
GIN030-020	7402	Object identifier	C	an	1/35	Optional
GIN040	C208	Identity number range	C	Comp		Optional
GIN040-010	7402	Object identifier	M	an	1/35	Required
GIN040-020	7402	Object identifier	C	an	1/35	Optional
GIN050	C208	Identity number range	C	Comp		Optional
GIN050-010	7402	Object identifier	M	an	1/35	Required
GIN050-020	7402	Object identifier	C	an	1/35	Optional
GIN060	C208	Identity number range	C	Comp		Optional
GIN060-010	7402	Object identifier	M	an	1/35	Required
GIN060-020	7402	Object identifier	C	an	1/35	Optional

Example:

GIN+BN+#01+#03+#05+#07+#09:#14'

GIN**Engine Number(s)**

Pos: 1430	Max: 100
Conditional	
Group: 17	Elements: 6

Loop Path: Group 10-Group 17

User Option (Usage): Optional

Function: To give specific identification numbers, either as single numbers or ranges.

Element Summary:

<u>Ref</u>	<u>Tag</u>	<u>Element Name</u>	<u>Status</u>	<u>Type</u>	<u>Min/Max</u>	<u>Usage</u>
GIN010	7405	Object identification code qualifier	M	an	1/3	Required
		<u>Code</u> <u>Name</u>				
		EE Engine number				
GIN020	C208	Identity number range	M	Comp		Required
GIN020-010	7402	Object identifier	M	an	1/35	Required
GIN030	C208	Identity number range	C	Comp		Optional
GIN030-010	7402	Object identifier	M	an	1/35	Required
GIN040	C208	Identity number range	C	Comp		Optional
GIN040-010	7402	Object identifier	M	an	1/35	Required
GIN050	C208	Identity number range	C	Comp		Optional
GIN050-010	7402	Object identifier	M	an	1/35	Required
GIN060	C208	Identity number range	C	Comp		Optional
GIN060-010	7402	Object identifier	M	an	1/35	Required

Example:

GIN+EE+#01234:#01243'

NAD Manufacturer

Pos: 1440	Max: 1
Conditional	
Group: 17	Elements: 9

Loop Path: Group 10-Group 17

User Option (Usage): Optional

Function: To specify the name/address and their related function.

Element Summary:

<u>Ref</u>	<u>Tag</u>	<u>Element Name</u>	<u>Status</u>	<u>Type</u>	<u>Min/Max</u>	<u>Usage</u>
NAD010	3035	Party function code qualifier	M	an	1/3	Required
		<u>Code</u> <u>Name</u>				
		MF Manufacturer of goods				
NAD020	C082	Party identification details	C	Comp		Optional
NAD020-010	3039	Party identifier	M	an	1/35	Required
NAD020-030	3055	Code list responsible agency code	C	an	1/3	Required
		<u>Code</u> <u>Name</u>				
		10 ODETTE				
		16 US, D&B (Dun & Bradstreet Corporation)				
		91 Assigned by seller or seller's agent				
		92 Assigned by buyer or buyer's agent				
NAD030	C058	Name and address	C	Comp		Not used
NAD030-010	3124	Name and address description	M	an	1/35	Not used
NAD030-020	3124	Name and address description	C	an	1/35	Not used
NAD030-030	3124	Name and address description	C	an	1/35	Not used
NAD030-040	3124	Name and address description	C	an	1/35	Not used
NAD030-050	3124	Name and address description	C	an	1/35	Required
NAD040	C080	Party name	C	Comp		Optional
NAD040-010	3036	Party name	M	an	1/35	Required
NAD040-020	3036	Party name	C	an	1/35	Optional
NAD040-030	3036	Party name	C	an	1/35	Not used
NAD040-040	3036	Party name	C	an	1/35	Not used
NAD040-050	3036	Party name	C	an	1/35	Not used
NAD040-060	3045	Party name format code	C	an	1/3	Not used
NAD050	C059	Street	C	Comp		Optional
NAD050-010	3042	Street and number or post office box identifier	M	an	1/35	Required
NAD050-020	3042	Street and number or post office box identifier	C	an	1/35	Optional
NAD050-030	3042	Street and number or post office box identifier	C	an	1/35	Not used
NAD050-040	3042	Street and number or post office box identifier	C	an	1/35	Not used
NAD060	3164	City name	C	an	1/35	Optional

NAD070	C819	Country subdivision details	C	Comp		Optional
NAD070-010	3229	Country subdivision identifier	C	an	1/9	Optional
NAD070-020	1131	Code list identification code	C	an	1/17	Not used
NAD070-030	3055	Code list responsible agency code	C	an	1/3	Not used
NAD070-040	3228	Country subdivision name	C	an	1/70	Not used
NAD080	3251	Postal identification code	C	an	1/17	Optional
NAD090	3207	Country identifier	C	an	1/3	Optional

Example:

NAD+MF+77665544:::92'

FTX Article long description

Pos: 1450	Max: 99
Conditional	
Group: 17	Elements: 5

Loop Path: Group 10-Group 17

User Option (Usage): Optional

Function: To provide free form or coded text information.

Element Summary:

<u>Ref</u>	<u>Tag</u>	<u>Element Name</u>	<u>Status</u>	<u>Type</u>	<u>Min/Max</u>	<u>Usage</u>
FTX010	4451	Text subject code qualifier	M	an	1/3	Required
		<u>Code</u> <u>Name</u>				
		LIN Line item				
FTX020	4453	Free text function code	C	an	1/3	Not used
FTX030	C107	Text reference	C	Comp		Not used
FTX030-010	4441	Free text description code	M	an	1/17	Not used
FTX030-020	1131	Code list identification code	C	an	1/17	Not used
FTX030-030	3055	Code list responsible agency code	C	an	1/3	Not used
FTX040	C108	Text literal	C	Comp		Required
FTX040-010	4440	Free text	M	an	1/256	Required
FTX040-020	4440	Free text	C	an	1/256	Optional
FTX040-030	4440	Free text	C	an	1/256	Optional
FTX040-040	4440	Free text	C	an	1/256	Optional
FTX040-050	4440	Free text	C	an	1/256	Optional
FTX050	3453	Language name code	C	an	1/3	Optional

Example:

FTX+LIN+++Article long description'

MOA Customs declared value

Pos: 1460	Max: 1
Conditional	
Group: 17	Elements: 1

Loop Path: Group 10-Group 17

User Option (Usage): Optional

Function: To specify a monetary amount.

Element Summary:

<u>Ref</u>	<u>Tag</u>	<u>Element Name</u>	<u>Status</u>	<u>Type</u>	<u>Min/Max</u>	<u>Usage</u>
MOA010	C516	Monetary amount	M	Comp		Required
MOA010-010	5025	Monetary amount type code qualifier	M	an	1/3	Required
		<u>Code</u>		<u>Name</u>		
		40		Goods item for customs declared value amount		
MOA010-020	5004	Monetary amount	C	n	1/35	Required
MOA010-030	6345	Currency identification code	C	an	1/3	Optional

Example:

MOA+40:1000.00:EUR'

Segment Group 18

Pos: 1470	Repeat: 1
Conditional	
Group: 18	Elements: N/A

Loop Path: Group 10-Group 17

User Option (Usage): Optional

Function:

Segment Group Summary:

<u>Pos</u>	<u>Tag</u>	<u>Segment Name</u>	<u>Status</u>	<u>Rep</u>	<u>Usage</u>
1480	RFF	Shipment / Delivery note reference	M	1	Required
1490	DTM	Delivery note date	C	1	Optional

RFF Shipment / Delivery note reference

Pos: 1480	Max: 1
Mandatory	
Group: 18	Elements: 1

Loop Path: Group 10-Group 17-Group 18
User Option (Usage): Required
Function: To specify a reference.

Element Summary:

<u>Ref</u>	<u>Tag</u>	<u>Element Name</u>	<u>Status</u>	<u>Type</u>	<u>Min/Max</u>	<u>Usage</u>
RFF010	C506	Reference	M	Comp		Required
RFF010-010	1153	Reference code qualifier	M	an	1/3	Required
		<u>Code</u> <u>Name</u>				
		AAU Despatch note document identifier				
RFF010-020	1154	Reference identifier	C	an	1/70	Required
RFF010-030	1156	Document line identifier	C	an	1/6	Optional

Example:

RFF+AAU:12345:020'

DTM Delivery note date

Pos: 1490	Max: 1
Conditional	
Group: 18	Elements: 1

Loop Path: Group 10-Group 17-Group 18

User Option (Usage): Optional

Function: To specify date, and/or time, or period.

Element Summary:

<u>Ref</u>	<u>Tag</u>	<u>Element Name</u>	<u>Status</u>	<u>Type</u>	<u>Min/Max</u>	<u>Usage</u>
DTM010	C507	Date/Time/Period	M	Comp		Required
DTM010-010	2005	Date or time or period function code qualifier	M	an	1/3	Required
		<u>Code</u> <u>Name</u>				
		171 Reference date/time				
DTM010-020	2380	Date or time or period text	C	n	1/12	Required
DTM010-030	2379	Date or time or period format code	C	an	1/3	Optional
		<u>Code</u> <u>Name</u>				
		102 CCYYMMDD				
		203 CCYYMMDDHHMM				

Example:

DTM+171:20021201:102'

Segment Group 18

Pos: 1500	Repeat: 5
Conditional	
Group: 18	Elements: N/A

Loop Path: Group 10-Group 17

User Option (Usage): Optional

Function: Delivery instruction / schedule reference and item related contact information

Segment Group Summary:

<u>Pos</u>	<u>Tag</u>	<u>Segment Name</u>	<u>Status</u>	<u>Rep</u>	<u>Usage</u>
1510	RFF	Delivery instruction / schedule reference	M	1	Required
1520	CTA	Item related contact information	C	1	Optional
1530	DTM	Reference date	C	1	Optional

RFF Delivery instruction / schedule reference

Pos: 1510	Max: 1
Mandatory	
Group: 18	Elements: 1

Loop Path: Group 10-Group 17-Group 18
User Option (Usage): Required
Function: To specify a reference.

Element Summary:

<u>Ref</u>	<u>Tag</u>	<u>Element Name</u>	<u>Status</u>	<u>Type</u>	<u>Min/Max</u>	<u>Usage</u>
RFF010	C506	Reference	M	Comp		Required
RFF010-010	1153	Reference code qualifier	M	an	1/3	Required
		<u>Code</u> <u>Name</u>				
		AAN Delivery schedule number				
RFF010-020	1154	Reference identifier	C	an	1/70	Dependent
RFF010-030	1156	Document line identifier	C	an	1/6	Optional

Example:

RFF+AAN:12345:050'

CTA**Item related contact information**

Pos: 1520	Max: 1
Conditional	
Group: 18	Elements: 2

Loop Path: Group 10-Group 17-Group 18

User Option (Usage): Optional

Function: To identify a person or a department to whom communication should be directed.

Element Summary:

<u>Ref</u>	<u>Tag</u>	<u>Element Name</u>	<u>Status</u>	<u>Type</u>	<u>Min/Max</u>	<u>Usage</u>
CTA010	3139	Contact function code	C	an	1/3	Required
		<u>Code</u>				
		<u>Name</u>				
		DL				Delivery contact
		IC				Information contact
		MC				Material control contact
		PD				Purchasing contact
		SC				Schedule contact
CTA020	C056	Contact details	C	Comp		Optional
CTA020-010	3413	Contact identifier	C	an	1/17	Optional
CTA020-020	3412	Contact name	C	an	1/256	Optional

Example:

CTA+DL+:F. Firestone'

DTM Reference date

Pos: 1530	Max: 1
Conditional	
Group: 18	Elements: 1

Loop Path: Group 10-Group 17-Group 18

User Option (Usage): Optional

Function: To specify date, and/or time, or period.

Element Summary:

<u>Ref</u>	<u>Tag</u>	<u>Element Name</u>	<u>Status</u>	<u>Type</u>	<u>Min/Max</u>	<u>Usage</u>
DTM010	C507	Date/Time/Period	M	Comp		Required
DTM010-010	2005	Date or time or period function code qualifier	M	an	1/3	Required
		<u>Code</u> <u>Name</u>				
		171 Reference date/time				
DTM010-020	2380	Date or time or period text	C	n	1/12	Required
DTM010-030	2379	Date or time or period format code	C	an	1/3	Optional
		<u>Code</u> <u>Name</u>				
		102 CCYYMMDD				
		203 CCYYMMDDHHMM				

Example:

DTM+171:20021101:102'

Segment Group 18

Pos: 1540	Repeat: 1
Conditional	
Group: 18	Elements: N/A

Loop Path: Group 10-Group 17

User Option (Usage): Required

Function: Order reference

Segment Group Summary:

<u>Pos</u>	<u>Tag</u>	<u>Segment Name</u>	<u>Status</u>	<u>Rep</u>	<u>Usage</u>
1550	RFF	Order reference	M	1	Required
1560	DTM	Reference date	C	1	Optional

RFF Order reference

Pos: 1550	Max: 1
Mandatory	
Group: 18	Elements: 1

Loop Path: Group 10-Group 17-Group 18

User Option (Usage): Required

Function: To specify a reference.

Element Summary:

<u>Ref</u>	<u>Tag</u>	<u>Element Name</u>	<u>Status</u>	<u>Type</u>	<u>Min/Max</u>	<u>Usage</u>
RFF010	C506	Reference	M	Comp		Required
RFF010-010	1153	Reference code qualifier	M	an	1/3	Required
		<u>Code</u>				
		<u>Name</u>				
		ON				Order document identifier, buyer assigned
RFF010-020	1154	Reference identifier	C	an	1/70	Required
RFF010-030	1156	Document line identifier	C	an	1/6	Optional

Example:

RFF+ON:12345:075'

DTM Reference date

Pos: 1560	Max: 1
Conditional	
Group: 18	Elements: 1

Loop Path: Group 10-Group 17-Group 18

User Option (Usage): Optional

Function: To specify date, and/or time, or period.

Element Summary:

<u>Ref</u>	<u>Tag</u>	<u>Element Name</u>	<u>Status</u>	<u>Type</u>	<u>Min/Max</u>	<u>Usage</u>
DTM010	C507	Date/Time/Period	M	Comp		Required
DTM010-010	2005	Date or time or period function code qualifier	M	an	1/3	Required
		<u>Code</u> <u>Name</u>				
		171 Reference date/time				
DTM010-020	2380	Date or time or period text	C	an	1/12	Required
DTM010-030	2379	Date or time or period format code	C	an	1/3	Optional
		<u>Code</u> <u>Name</u>				
		102 CCYYMMDD				
		203 CCYYMMDDHHMM				

Example:

DTM+171:20021101:102'

Segment Group 18

Pos: 1570	Repeat: 99
Conditional	
Group: 18	Elements: N/A

Loop Path: Group 10-Group 17

User Option (Usage): Optional

Function: References for aftermarket bypass process

Segment Group Summary:

<u>Pos</u>	<u>Tag</u>	<u>Segment Name</u>	<u>Status</u>	<u>Rep</u>	<u>Usage</u>
1580	RFF	Reference	M	1	Required
1590	DTM	Reference date	C	1	Optional

RFF

Reference

Pos: 1580	Max: 1
Mandatory	
Group: 18	Elements: 1

Loop Path: Group 10-Group 17-Group 18

User Option (Usage): Required

Function: To specify a reference.

Element Summary:

<u>Ref</u>	<u>Tag</u>	<u>Element Name</u>	<u>Status</u>	<u>Type</u>	<u>Min/Max</u>	<u>Usage</u>
RFF010	C506	Reference	M	Comp		Required
RFF010-010	1153	Reference code qualifier	M	an	1/3	Required
		<u>Code</u>				
		<u>Name</u>				
		IV				Invoice document identifier
		UC				Ultimate customer's reference number
		AAA				Order acknowledgement document identifier
		ACE				Related document number
		COF				Call off order number
RFF010-020	1154	Reference identifier	C	an	1/70	Required
RFF010-030	1156	Document line identifier	C	an	1/6	Optional

Example:

RFF+COF:12345'

DTM Reference date

Pos: 1590	Max: 1
Conditional	
Group: 18	Elements: 1

Loop Path: Group 10-Group 17-Group 18

User Option (Usage): Optional

Function: To specify date, and/or time, or period.

Element Summary:

<u>Ref</u>	<u>Tag</u>	<u>Element Name</u>	<u>Status</u>	<u>Type</u>	<u>Min/Max</u>	<u>Usage</u>
DTM010	C507	Date/Time/Period	M	Comp		Required
DTM010-010	2005	Date or time or period function code qualifier	M	an	1/3	Required
		<u>Code</u> <u>Name</u>				
		171 Reference date/time				
DTM010-020	2380	Date or time or period text	C	n	1/12	Required
DTM010-030	2379	Date or time or period format code	C	an	1/3	Optional
		<u>Code</u> <u>Name</u>				
		102 CCYYMMDD				
		203 CCYYMMDDHHMM				

Example:

DTM+171:20020801:102'

Segment Group 19

Pos: 1600	Repeat: 1
Conditional	
Group: 19	Elements: N/A

Loop Path: Group 10-Group 17

User Option (Usage): Optional

Function: A group of segments giving information about dangerous goods.

Segment Group Summary:

<u>Pos</u>	<u>Tag</u>	<u>Segment Name</u>	<u>Status</u>	<u>Rep</u>	<u>Usage</u>
1610	DGS	Dangerous goods	M	1	Required
1620	FTX	Dangerous goods description	C	1	Optional
1630	FTX	Dangerous goods declaration exception	C	1	Optional

DGS Dangerous goods

Pos: 1610	Max: 1
Mandatory	
Group: 19	Elements: 2

Loop Path: Group 10-Group 17-Group 19

User Option (Usage): Required

Function: To identify dangerous goods.

Element Summary:

<u>Ref</u>	<u>Tag</u>	<u>Element Name</u>	<u>Status</u>	<u>Type</u>	<u>Min/Max</u>	<u>Usage</u>
DGS010	8273	Dangerous goods regulations code	C	an	1/3	Optional
DGS030	C234	UNDG Information	C	Comp		Required
DGS030-010	7124	United Nations Dangerous Goods (UNDG) identifier	C	n	4/4	Required

Example:

DGS+ADR'

FTX

Dangerous goods description

Pos: 1620	Max: 1
Conditional	
Group: 19	Elements: 3

Loop Path: Group 10-Group 17-Group 19

User Option (Usage): Optional

Function: To provide free form or coded text information.

Element Summary:

<u>Ref</u>	<u>Tag</u>	<u>Element Name</u>	<u>Status</u>	<u>Type</u>	<u>Min/Max</u>	<u>Usage</u>
FTX010	4451	Text subject code qualifier	M	an	1/3	Required
		<u>Code</u>				
		AAD				
		<u>Name</u>				
		Dangerous goods technical name				
FTX040	C108	Text literal	C	Comp		Required
FTX040-010	4440	Free text	M	an	1/256	Required
FTX040-020	4440	Free text	C	an	1/256	Optional
FTX040-030	4440	Free text	C	an	1/256	Optional
FTX040-040	4440	Free text	C	an	1/256	Optional
FTX040-050	4440	Free text	C	an	1/256	Optional
FTX050	3453	Language name code	C	an	1/3	Optional

Example:

FTX+AAD+++Text line 1:line 2+en'

FTX**Dangerous goods declaration exception**

Pos: 1630	Max: 1
Conditional	
Group: 19	Elements: 3

Loop Path: Group 10-Group 17-Group 19**User Option (Usage):** Optional**Function:** To provide free form or coded text information.**Element Summary:**

<u>Ref</u>	<u>Tag</u>	<u>Element Name</u>	<u>Status</u>	<u>Type</u>	<u>Min/Max</u>	<u>Usage</u>
FTX010	4451	Text subject code qualifier	M	an	1/3	Required
		<u>Code</u>				
		HAZ				
		<u>Name</u>				
		Hazard information				
FTX040	C108	Text literal	C	Comp		Required
FTX040-010	4440	Free text	M	an	1/256	Required
FTX040-020	4440	Free text	C	an	1/256	Optional
FTX040-030	4440	Free text	C	an	1/256	Optional
FTX040-040	4440	Free text	C	an	1/256	Optional
FTX040-050	4440	Free text	C	an	1/256	Optional
FTX050	3453	Language name code	C	an	1/3	Optional

Example:*FTX+HAZ+++Text line 1:line 2+en'*

Segment Group 20

Pos: 1640	Repeat: 1
Conditional	
Group: 20	Elements: N/A

Loop Path: Group 10-Group 17

User Option (Usage): Optional

Function: Unloading point

A group of segments giving location information and where relevant, additional addresses.

Segment Group Summary:

<u>Pos</u>	<u>Tag</u>	<u>Segment Name</u>	<u>Status</u>	<u>Rep</u>	<u>Usage</u>
1650	LOC	Unloading point	M	1	Required

LOC Unloading point

Pos: 1650	Max: 1
Mandatory	
Group: 20	Elements: 2

Loop Path: Group 10-Group 17-Group 20

User Option (Usage): Required

Function: To identify a place or a location and/or related locations.

Element Summary:

<u>Ref</u>	<u>Tag</u>	<u>Element Name</u>	<u>Status</u>	<u>Type</u>	<u>Min/Max</u>	<u>Usage</u>
LOC010	3227	Location function code qualifier	M	an	1/3	Required
		<u>Code</u> <u>Name</u>				
		11 Place of discharge				
LOC020	C517	Location identification	C	Comp		Required
LOC020-010	3225	Location identifier	C	an	1/35	Optional
LOC020-020	1131	Code list identification code	C	an	1/17	Not used
LOC020-030	3055	Code list responsible agency code	C	an	1/3	Optional
		<u>Code</u> <u>Name</u>				
		92 Assigned by buyer or buyer's agent				
LOC020-040	3224	Location name	C	an	1/256	Optional

Segment Group 20

Pos: 1660	Repeat: 1
Conditional	
Group: 20	Elements: N/A

Loop Path: Group 10-Group 17

User Option (Usage): Optional

Function: Internal place of consumption

A group of segments giving location information and where relevant, additional addresses.

Segment Group Summary:

<u>Pos</u>	<u>Tag</u>	<u>Segment Name</u>	<u>Status</u>	<u>Rep</u>	<u>Usage</u>
1670	LOC	Internal place of consumption	M	1	Required

LOC

Internal place of consumption

Pos: 1670	Max: 1
Mandatory	
Group: 20	Elements: 2

Loop Path: Group 10-Group 17-Group 20

User Option (Usage): Required

Function: To identify a place or a location and/or related locations.

Element Summary:

<u>Ref</u>	<u>Tag</u>	<u>Element Name</u>	<u>Status</u>	<u>Type</u>	<u>Min/Max</u>	<u>Usage</u>
LOC010	3227	Location function code qualifier	M	an	1/3	Required
		<u>Code</u>				
		7				Place of delivery
		159				Additional internal destination
LOC020	C517	Location identification	C	Comp		Required
LOC020-010	3225	Location identifier	C	an	1/35	Optional
LOC020-020	1131	Code list identification code	C	an	1/17	Not used
LOC020-030	3055	Code list responsible agency code	C	an	1/3	Optional
		<u>Code</u>				
		92				Assigned by buyer or buyer's agent
LOC020-040	3224	Location name	C	an	1/256	Optional

UNT Message trailer

Pos: 1680	Max: 1
Mandatory	
Group: N/A	Elements: 2

User Option (Usage): Required

Function: To end and check the completeness of a message.

Element Summary:

<u>Ref</u>	<u>Tag</u>	<u>Element Name</u>	<u>Status</u>	<u>Type</u>	<u>Min/Max</u>	<u>Usage</u>
UNT010	0074	Number of segments in a message	M	n	1/10	Required
UNT020	0062	Message reference number	M	an	1/14	Required

Example:

UNT+99+1'

UNZ Interchange trailer

Pos: 1690	Max: 1
Mandatory	
Group: N/A	Elements: 2

User Option (Usage): Required

Function: To end and check the completeness of an interchange.

Element Summary:

<u>Ref</u>	<u>Tag</u>	<u>Element Name</u>	<u>Status</u>	<u>Type</u>	<u>Min/Max</u>	<u>Usage</u>
UNZ010	0036	Interchange control count	M	n	1/6	Required
UNZ020	0020	Interchange control reference	M	an	1/14	Required

Example:

UNZ+1+X'

Testfiles & Guidelines

Testfiles and Guidelines can be found on our website

Further Reference

CSA is following the VDA recommendations.

For additional information and detailed process description please see VDA reference documents:

VDA 4987 - Anhang 1 – Version 1.3 – März 2016 – DE.pdf

VDA 4987 - Anhang 3 - Verpackungsbeispiele V1.3 März 2016.pdf

VDA 4987 - Lieferavise mit EDI – V1.3 – März 2016.pdf

<https://www.vda.de/de/verband/organisation/organisation-ausschuesse/arbeitskreis-kit/ak-kit-empfehlungen.html>

(German)

VDA 4987 - Annexe 1 DESADV – Version 1.3 – March 2016 EN.pdf

VDA 4987 - Annexe 3 – Package Examples - V1.3 March 2016.pdf

VDA 4987 – Despatch Advice with EDI V1.3 MARCH 2016 EN.pdf

<https://www.vda.de/en/association/organization/organization-committees/working-group-ict-and-edi/ict-and-edi-recommendations.html>

(English)

Support

For support feel free to contact